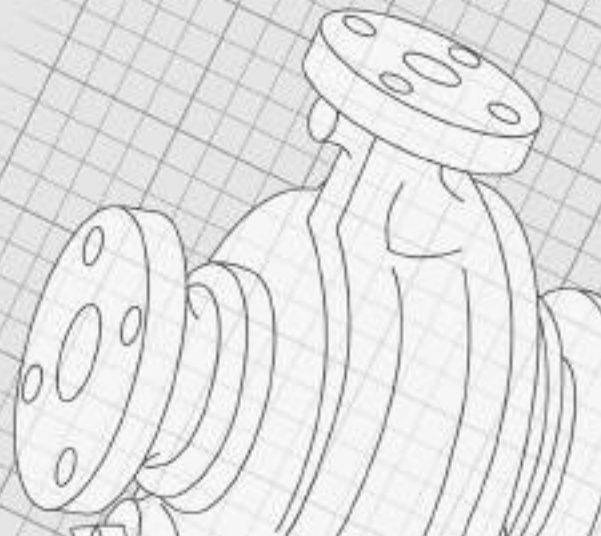


# CECO Dean

## SERIES RWA

Fan Cooled Hot Water Pumps

## DATA PAK



# CECO Dean

700 Emlen Way, Telford, PA 18969 USA  
 Phone: 215.723.8155, Fax: 215-723-2197, Toll Free: 800-392-7621  
 Email: info@ceco.com • Website: ceccoenviro.com

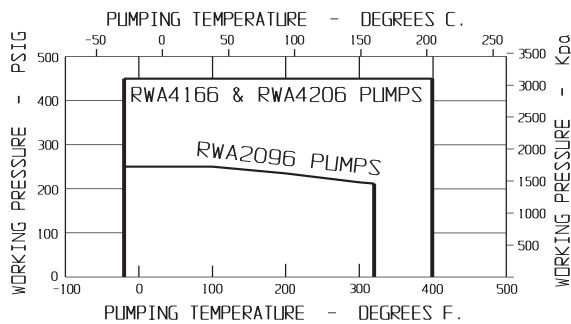
## SERIES RWA FAN COOLED HOT WATER PUMPS

### FAN COOLED, HORIZONTAL, SINGLE STAGE, END SUCTION, ENCLOSED IMPELLER, CENTRIFUGAL, HOT WATER PUMPS MECHANICAL DESIGN SPECIFICATIONS

PUMP TYPE	RWA 2096	RWA 4166	RWA 4206
Direction of Rotation (Viewed from Coupling End)	CW	CCW	CCW
Casing Thickness, Minimum	5/16"	5/16"	5/16"
Corrosion Allowance	1/8"	1/8"	1/8"
Impeller Balance – Standard Optional Extra	Single Plane Dynamic	Single Plane Dynamic	Single Plane Dynamic
Flanges ANSI Class Facing Finish	150 Flat Face 125 Ra	300 Raised Face 125 Ra	300 Raised Face 125 Ra
Suction Pressure, Maximum	100 PSIG	260 PSIG	260 PSIG
Horsepower Rating, Maximum @3500 RPM @1750 RPM @1150 RPM	35 15 10	100 40 25	250 125 75
Bearings: Thrust Bearing, Ball Type, Grease Lubricated	5306 2RS Double Row	7308 BG Angular Contact Pair	7311 BG Angular Contact Pair
Radial Bearing, Sleeve Type, Pumpage Lubricated			
Seal Chamber Dimensions Length (Depth) Inside Diameter (Bore Dia.) Shaft Diameter	1 5/8" 2 1/16" 1 1/8"	2 13/16" 3 1/8" 2"	3 7/8" 4 5/16" 2 1/2"
Pump Shaft Dimensions Span Between Bearings Span Between Radial Bearing Centerline and Impeller Centerline Diameter at Coupling Diameter Between Bearings Diameter at Impeller	8 11/16" 1 5/8" 7/8" 1 5/16" 3/4"	11 7/16" 2 5/16" 1 1/8" 1 9/16" 1 1/8"	14 5/8" 3 1/4" 1 5/8" 1 7/8" 1 1/2"
L <sup>3</sup> /D <sup>4</sup>	4.3	2.1	2.8
Material Class	22 (Ductile Iron)	22 (Ductile Iron)	22 (Ductile Iron)
Maximum Working Pressure	250 PSIG @100°F	450 PSIG	450 PSIG
Pumping Temperature Minimum Maximum	-20°F @ 250 PSIG 320°F @ 210 PSIG	-20°F	-20°F
Maximum Ambient Temperature (temp. within 12" of the pump)	118°F	118°F	118°F
Hydrostatic Test Pressure	430 PSIG	700 PSIG	700 PSIG

Seal chamber pressure equals pump suction pressure plus .06 x developed head.

#### ALLOWABLE WORKING PRESSURE VS. PUMPING TEMPERATURE



THESE PUMPS ARE DESIGNED SPECIFICALLY FOR USE WITH HOT WATER, ETHYLENE GLYCOL, PROPYLENE GLYCOL AND TRIETHYLENE GLYCOL. THESE PUMPS WILL NOT WORK ON OTHER LIQUIDS.

#### STANDARD MATERIALS OF CONSTRUCTION

Part No.	Part Name	RWA 2096 Class 22	RWA 4166 Class 22	RWA 4206 Class 22
3	Impeller	C.I. (1)	C.I. (1)	C.I. (1)
4	Impeller Key	Steel (2)	Steel (2)	Steel (2)
5	Casing	D.I. (10)	D.I. (10)	D.I. (10)
5A	Casing Drain Plug	Steel (2)	Steel (2)	Steel (2)
5C	Casing Stud Nut	N.A.	Steel (5)	Steel (5)
5D	Casing Stud/Cap Screw	Steel (3) Screw	Steel (4) Stud	Steel (4) Stud
6A	Casing Ring (only some sizes)	N.A.	Iron (7)	Iron (7)
9	Bearing Housing Foot	Steel (2)	Steel (2)	Steel (2)
*10	Shaft Sleeve	N.A.	316 S/S	316 S/S
*12	Impeller Bolt/Nut	Steel (2) Nut	Steel (2) Bolt	Steel (2) Bolt
*12A	Impeller Washer	Steel (2)	Steel (2)	Steel (2)
*13	Mechanical Seal Gland	Steel (2)	Steel (2)	Steel (2)
*25A	Shaft Bearing – Thrust – Ball	Double Row	Angular Contact Pair	Angular Contact Pair
26	Bearing Housing	D.I. (10)	D.I. (10)	D.I. (10)
*28	Bearing End Cover	C.I. (1)	Steel (2)	D.I. (9)
*29	Pump Shaft	11-13 S/S (12)	11-13 S/S (12)	11-13/316 S/S (8)
*31	Thrust Bearing Lock Nut	N.A.	Steel (2)	Steel (2)
*31A	Thrust Bearing Lock Washer	N.A.	Steel (2)	Steel (2)
56	Casing Foot	N.A.	C.I. (1)	C.I. (1)
*75	Snap Ring	N.A.	Steel (2)	N.A.
*75A	Snap Ring	Steel (2)	N.A.	N.A.
*76	Grease Seal – Front	Viton (13)	Viton (13)	Viton (13)
*76A	Grease Seal – Rear	N.A.	Buna (14)	Buna (14)
77	Casing Gasket	Teflon (11)	Teflon (11)	Teflon (11)
*77A	Sleeve Gasket	N.A.	Aflas	Aflas
*77B	Bearing End Cover Gasket	N.A.	Buna (14)	Buna (14)
*95A	Mechanical Seal Stationary	Silicon Carbide & Aflas	Silicon Carbide & Aflas	Silicon Carbide & Aflas
*95B	Mechanical Seal Rotary	S/S, Carbon, & Aflas	S/S, Carbon, & Aflas	S/S, Carbon, & Aflas
98	Coupling Guard	Steel (2)	Steel (2)	Steel (2)
*120	Fan	Aluminum	Aluminum	Aluminum
*121	Fan Collar	N.A.	Steel (2)	Steel (2)
*122	Fan Clamp Ring	Steel (2)	Steel (2)	Steel (2)
*180	Radial Bearing Cartridge	Carbon & Steel	Carbon & Steel	Carbon & 416 S/S
*325	Seal Gland Gasket	Aflas (13)	Aflas (13)	Aflas (13)
*370	Sleeve Set Screw	N.A.	18-8 S/S	18-8 S/S
*375	Anti-Rotation Pin	N.A.	N.A.	316 S/S

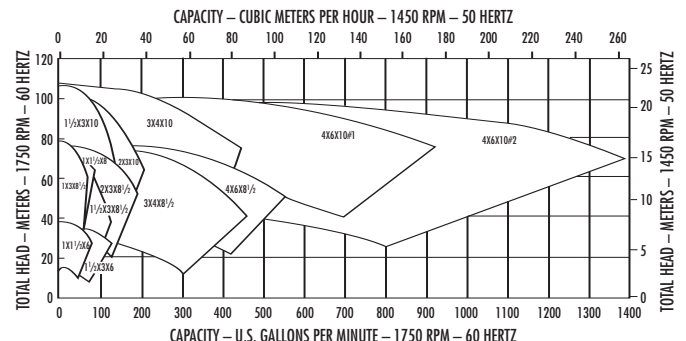
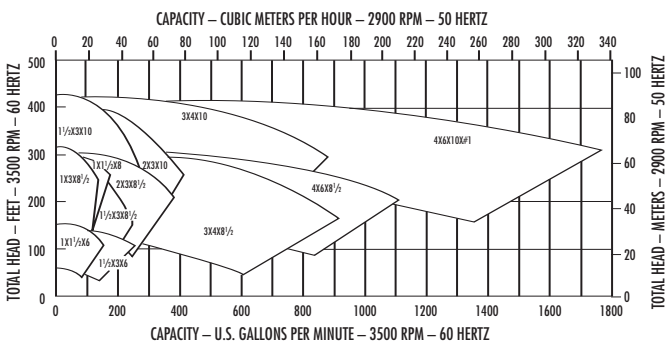
\* Denotes parts interchangeability in all pump sizes of a given series.

#### MATERIAL SPECIFICATIONS (REFER TO NUMBERS IN PARENTHESES)

- (1) Cast Iron
- (2) AISI 1020
- (3) SAE Grade 5 or ASTM A449 Type 1 Steel
- (4) AISI 4140, ASTM A193-B7 Steel
- (5) ASTM A194 Grade 2 Steel
- (7) Hardened Iron
- (8) ANSI 316 S/S with ANSI 416 S/S at the sleeve bearing
- (9) Ductile Iron – ASTM A536
- (10) Ductile Iron – ASTM A395
- (11) Teflon® Elastomer
- (12) ANSI 420 S/S
- (13) Viton® Elastomer
- (14) Buna N Rubber

Viton® is a registered Trademark of E. I. DuPont Co.  
 Teflon® is a registered Trademark of E. I. DuPont Co.

#### RWA SERIES PUMP PERFORMANCE

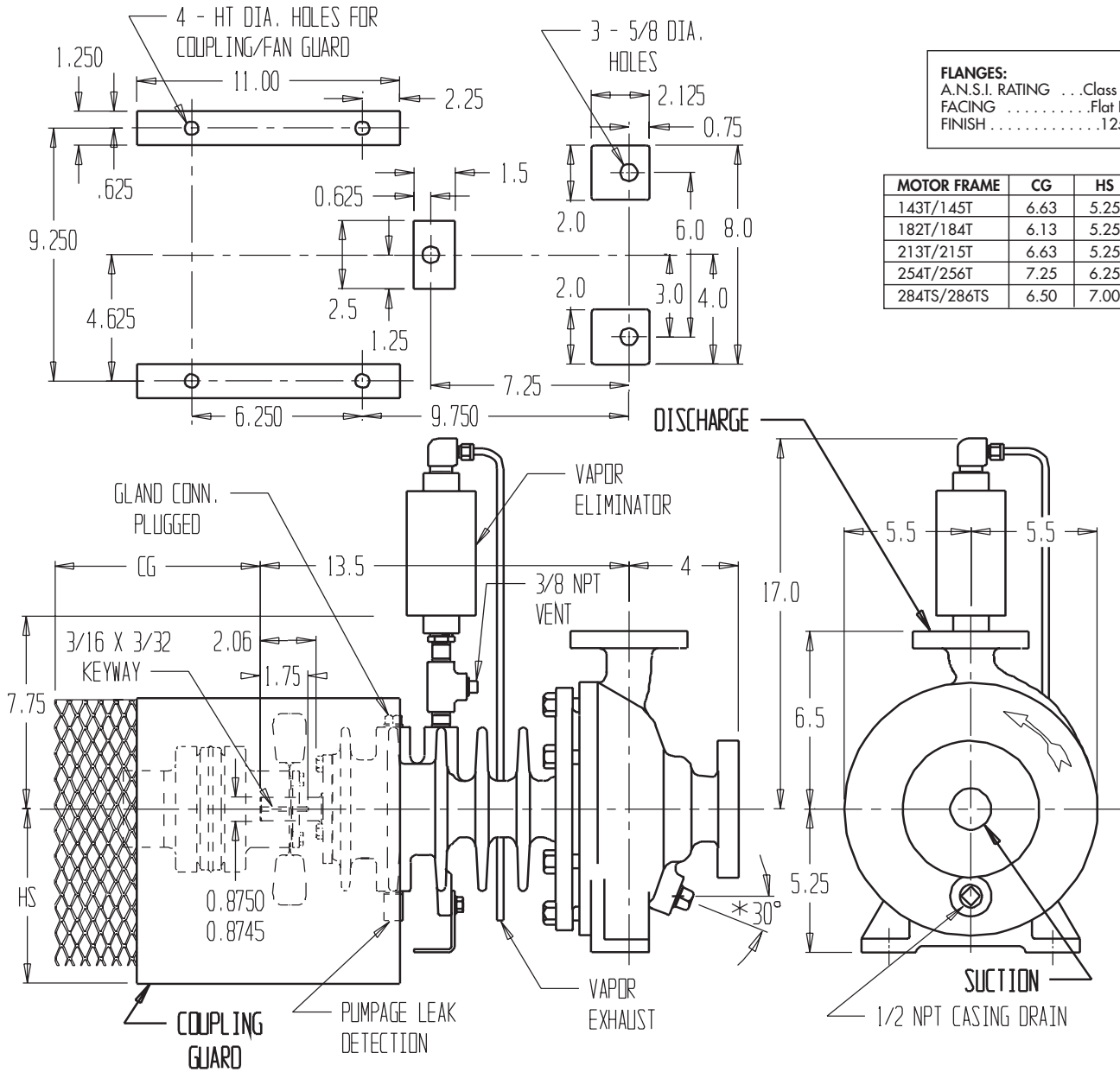


# CECO Dean

700 Emlen Way, Telford, PA 18969 USA  
 Phone: 215.723.8155, Fax: 215-723-2197, Toll Free: 800-392-7621  
 Email: infohfs@onececo.com • Website: cecoenviro.com

## SERIES RWA FAN COOLED HOT WATER PUMPS DIMENSIONAL DRAWINGS

### RWA-2096 WITH SHAFT FAN



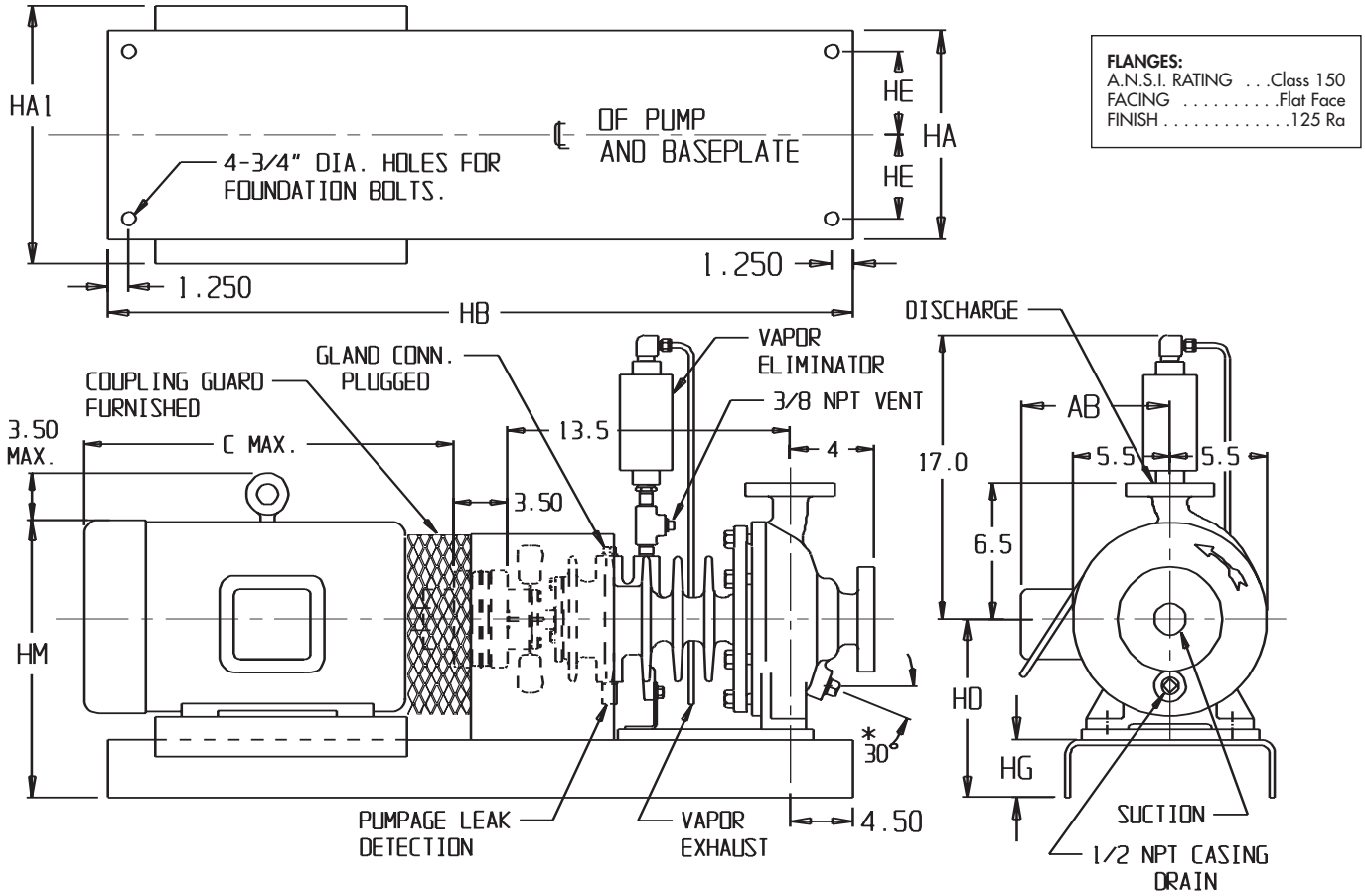
PUMP SIZE	DISCHARGE					SUCTION				
	SIZE	O.D.	THK	B.C.	BOLTS	SIZE	O.D.	THK	B.C.	BOLTS
1 x 1 1/2 x 6	1	4 1/4	9/16	3 1/8	4-1/2	1 1/2	5	1 1/16	37/8	4-1/2
+1 1/2 x 3 x 6	1 1/2	5	1 1/16	37/8	4-1/2	3	7 1/2	15/16	6	4-5/8
1 x 1 1/2 x 8	1	4 1/4	9/16	3 1/8	4-1/2	1 1/2	5	1 1/16	37/8	4-1/2

All dimensions in inches

**IMPORTANT:** Do not use for construction unless certified.

**DIMENSION DWG.  
 NO. RWA-1103**

**RWA-2096 WITH SHAFT FAN**



PUMP SIZE	DISCHARGE					SUCTION				
	SIZE	O.D.	THK	B.C.	BOLTS	SIZE	O.D.	THK	B.C.	BOLTS
1 x 1 1/2 x 6	1	4 1/4	9/16	3 1/8	4-1/2	1 1/2	5	1 1/16	3 7/8	4-1/2
1 1/2 x 3 x 6	1 1/2	5	1 1/16	3 7/8	4-1/2	3	7 1/2	1 5/16	6	4-5/8
1 x 1 1/2 x 8	1	4 1/4	9/16	3 1/8	4-1/2	1 1/2	5	1 1/16	3 7/8	4-1/2

All dimensions in inches

FRAME	C	AB	HA	HA1	HB	HD	HE	HG	HM
143T	13 1/4	6 1/2	12	-	39	8 1/2	4 1/2	3 1/4	12 1/4
145T	13 3/4	6 1/2	12	-	39	8 1/2	4 1/2	3 1/4	12 1/4
182T	14 5/8	7 1/2	12	-	39	8 1/2	4 1/2	3 1/4	13 1/4
184T	15 5/8	7 1/2	12	-	39	8 1/2	4 1/2	3 1/4	13 1/4
213T	18 1/8	9 1/2	12	-	39	8 1/2	4 1/2	3 1/4	14 1/4
215T	19 5/8	9 1/2	12	-	39	8 1/2	4 1/2	3 1/4	14 1/4
254T	23 1/8	11	15	-	52	10 3/8	6	4 1/8	17 3/8
256T	24 7/8	11	15	-	52	10 3/8	6	4 1/8	17 3/8
284TS	25 1/2	12 5/8	15	-	52	11 1/8	6	4 1/8	18 7/8
286TS	27	12 5/8	15	-	52	11 1/8	6	4 1/8	18 7/8
324TS	28 3/8	14 3/4	12	16 1/2	45	13 3/4	4 1/2	3 3/4	22 1/2

All dimensions in inches

**IMPORTANT:** Do not use for construction unless certified.

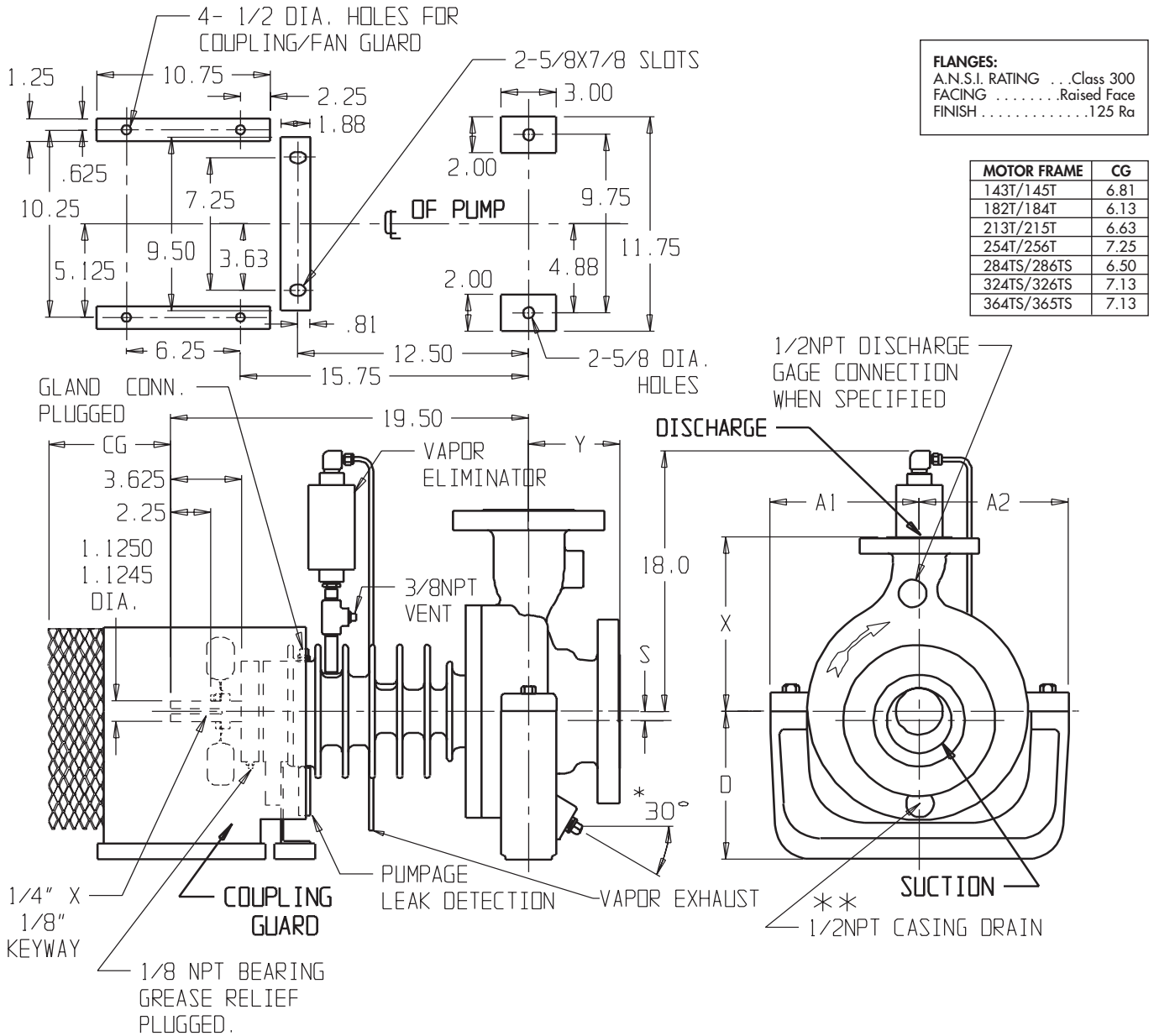
**DIMENSION DWG.**  
**NO. RWA-1123**

# CECO Dean

700 Emlen Way, Telford, PA 18969 USA  
 Phone: 215.723.8155, Fax: 215-723-2197, Toll Free: 800-392-7621  
 Email: infofhs@onececo.com • Website: cecoenviro.com

## SERIES RWA FAN COOLED HOT WATER PUMPS DIMENSIONAL DRAWINGS

### RWA-4166 WITH SHAFT FAN



\*\* 3/4" NPT with 3" and 4" discharge

PUMP SIZE	DISCHARGE					SUCTION					A <sub>1</sub>	A <sub>2</sub>	D	S	X	Y
	SIZE	O.D.	THK	B.C.	BOLTS	SIZE	O.D.	THK	B.C.	BOLTS						
*1 x 3 x 8 1/2	1	4 7/8	1 1/16	3 1/2	4-5/8	3	8 1/4	1 1/8	6 5/8	8-3/4	8 1/8	8 1/8	8 1/4	0	7 1/2	4
1 1/2 x 3 x 8 1/2	1 1/2	6 1/8	1 3/16	4 1/2	4-3/4	3	8 1/4	1 1/8	6 5/8	8-3/4	8 1/8	8 1/8	8 1/4	0	8 1/2	4
2 x 3 x 8 1/2	2	6 1/2	7/8	5	8-5/8	3	8 1/4	1 1/8	6 5/8	8-3/4	8 1/8	8 1/8	8 1/4	0	9 1/2	5
*3 x 4 x 8 1/2	3	8 1/4	1 1/8	6 5/8	8-3/4	4	10	1 1/4	7 7/8	8-3/4	9	8 1/8	10	0	11	5
*4 x 6 x 8 1/2	4	10	1 1/4	7 7/8	8-3/4	6	12 1/2	1 7/16	10 5/8	12-3/4	10 1/4	8 1/8	10	5/8	11 1/2	6
1 1/2 x 3 x 10	1 1/2	6 1/8	1 3/16	4 1/2	4-3/4	3	8 1/4	1 1/8	6 5/8	8-3/4	9	8 3/4	10	0	9	4
2 x 3 x 10	2	6 1/2	7/8	5	8-5/8	3	8 1/4	1 1/8	6 5/8	8-3/4	9	8 3/4	10	0	9 1/2	5
3 x 4 x 10	3	8 1/4	1 1/8	6 5/8	8-3/4	4	10	1 1/4	7 7/8	8-3/4	10 3/8	8 3/4	10	0	11	5
4 x 6 x 10 #2	4	10	1 1/4	7 7/8	8-3/4	6	12 1/2	1 7/16	10 5/8	12-3/4	11 3/4	10.0	11 1/2	1/4	12 1/2	6

All dimensions in inches

**IMPORTANT:** Do not use for construction unless certified.

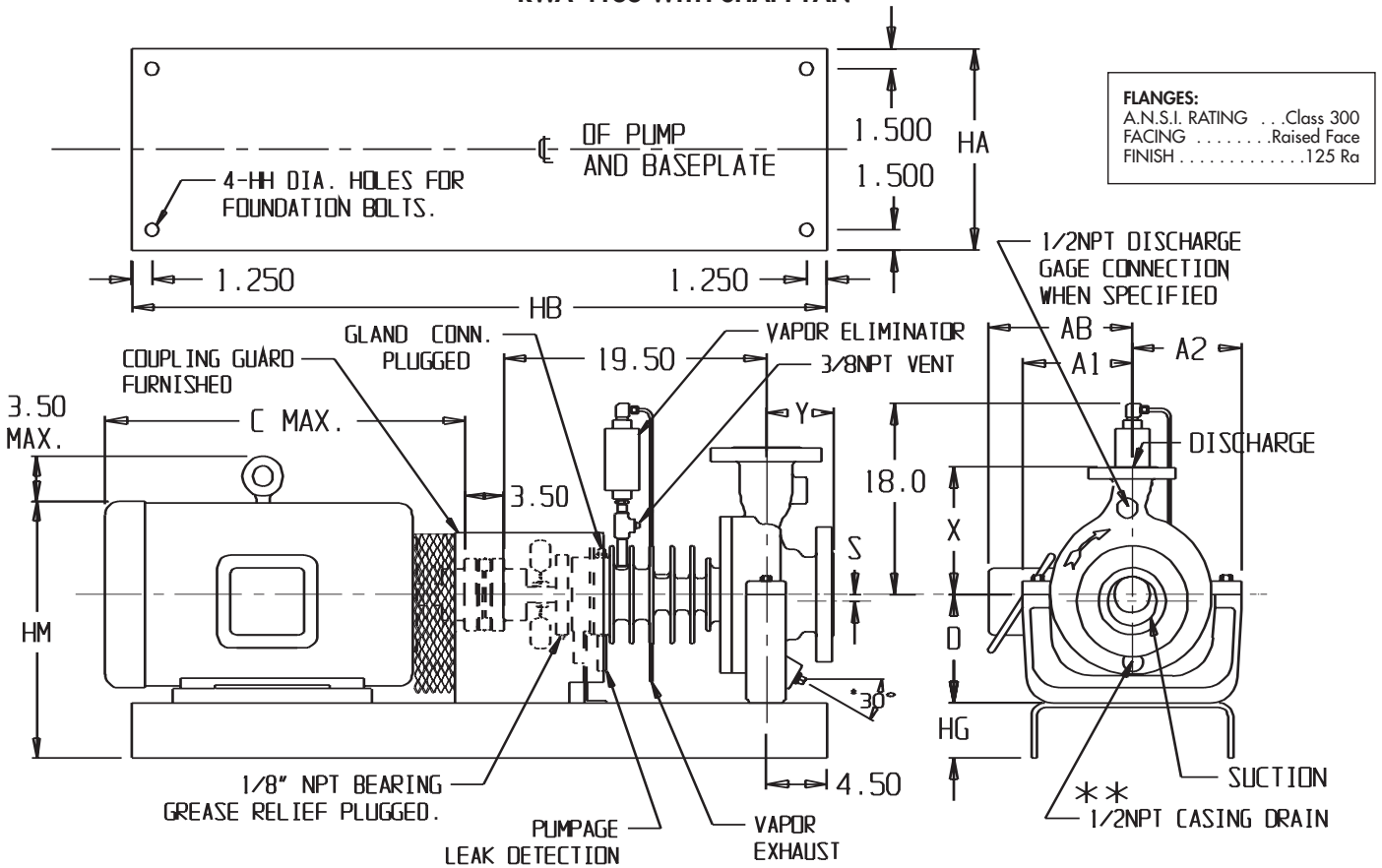
**DIMENSION DWG.  
 NO. RWA-1003**

# CECO Dean

700 Emlen Way, Telford, PA 18969 USA  
 Phone: 215.723.8155, Fax: 215-723-2197, Toll Free: 800-392-7621  
 Email: info@ceco.com • Website: cecoenviro.com

## SERIES RWA FAN COOLED HOT WATER PUMPS DIMENSIONAL DRAWINGS

### RWA-4166 WITH SHAFT FAN



**FLANGES:**  
 A.N.S.I. RATING ... Class 300  
 FACING ... Raised Face  
 FINISH ... 125 Ra

\*\* 3/4" NPT with 3" and 4" discharge

PUMP SIZE	DISCHARGE					SUCTION					A <sub>1</sub>	A <sub>2</sub>	D	S	X	Y
	SIZE	O.D.	THK	B.C.	BOLTS	SIZE	O.D.	THK	B.C.	BOLTS						
*1 x 3 x 8 1/2	1	4 7/8	1 1/16	3 1/2	4-5/8	3	8 1/4	1 1/8	6 5/8	8-3/4	8 1/8	8 1/8	8 1/4	0	7 1/2	4
1 1/2 x 3 x 8 1/2	1 1/2	6 1/8	1 3/16	4 1/2	4-3/4	3	8 1/4	1 1/8	6 5/8	8-3/4	8 1/8	8 1/8	8 1/4	0	8 1/2	4
2 x 3 x 8 1/2	2	6 1/2	7/8	5	8-5/8	3	8 1/4	1 1/8	6 5/8	8-3/4	8 1/8	8 1/8	8 1/4	0	9 1/2	5
*3 x 4 x 8 1/2	3	8 1/4	1 1/8	6 5/8	8-3/4	4	10	1 1/4	7 7/8	8-3/4	9	8 1/8	10	0	11	5
*4 x 6 x 8 1/2	4	10	1 1/4	7 7/8	8-3/4	6	12 1/2	1 7/16	10 5/8	12-3/4	10 1/4	8 1/8	10	5/8	11 1/2	6
1 1/2 x 3 x 10	1 1/2	6 1/8	1 3/16	4 1/2	4-3/4	3	8 1/4	1 1/8	6 5/8	8-3/4	9	8 3/4	10	0	9	4
2 x 3 x 10	2	6 1/2	7/8	5	8-5/8	3	8 1/4	1 1/8	6 5/8	8-3/4	9	8 3/4	10	0	9 1/2	5
3 x 4 x 10	3	8 1/4	1 1/8	6 5/8	8-3/4	4	10	1 1/4	7 7/8	8-3/4	10 3/8	8 3/4	10	0	11	5
4 x 6 x 10#2	4	10	1 1/4	7 7/8	8-3/4	6	12 1/2	1 1/4	7 7/8	8-3/4	11 3/4	10	11 1/2	1/8	12 1/2	6

All dimensions in inches

FRAME	C	AB	HA	HB	HG	HH	HM			FRAME	C	AB	HA	HB	HG	HH	HM		
							D=8 1/4	D=10	D=11 1/2								D=8 1/4	D=10	D=11 1/2
143T	13 1/4	6 1/2	12	45	3 3/4	3/4	15 7/8	17 5/8	19 1/8	286T	28 3/8	12 5/8	15	52	4 1/8	3/4	20 1/8	21 7/8	23 3/8
145T	13 3/4	6 1/2	12	45	3 3/4	3/4	15 7/8	17 5/8	19 1/8	286TS	27	12 5/8	15	52	4 1/8	3/4	20 1/8	21 7/8	23 3/8
182T	14 5/8	7 1/2	12	45	3 3/4	3/4	17 1/4	19	20 1/2	324T	29 7/8	14 3/4	18	58	4 3/4	1	21 3/4	23 1/2	25
184T	15 5/8	7 1/2	12	45	3 3/4	3/4	17 1/4	19	20 1/2	324TS	28 3/4	14 3/4	18	58	4 3/4	1	21 3/4	23 1/2	25
213T	18 1/8	9 1/2	12	45	3 3/4	3/4	18	19 3/4	21 1/4	326T	31 3/8	14 3/4	18	58	4 3/4	1	21 3/4	23 1/2	25
215T	19 5/8	9 1/2	12	45	3 3/4	3/4	18	19 3/4	21 1/4	326TS	29 7/8	14 3/4	18	58	4 3/4	1	21 3/4	23 1/2	25
254T	23 1/8	10 3/4	15	52	4 1/8	3/4	19 3/8	21 1/8	22 5/8	364T	33 1/8	15 5/8	18	58	4 3/4	1	—	24 5/8	—
256T	24 7/8	10 3/4	15	52	4 1/8	3/4	19 3/8	21 1/8	22 5/8	364TS	31 1/2	15 5/8	18	58	4 3/4	1	—	24 5/8	—
284T	26 7/8	12 5/8	15	52	4 1/8	3/4	20 1/8	21 7/8	23 3/8	365T	34 1/8	15 5/8	18	58	4 3/4	1	—	24 5/8	—
284TS	25 1/2	12 5/8	15	52	4 1/8	3/4	20 1/8	21 7/8	23 3/8	365TS	32 1/2	15 5/8	18	58	4 3/4	1	—	24 5/8	—

All dimensions in inches

**IMPORTANT:** Do not use for construction unless certified.

**DIMENSION DWG.  
 NO. RWA-1023**

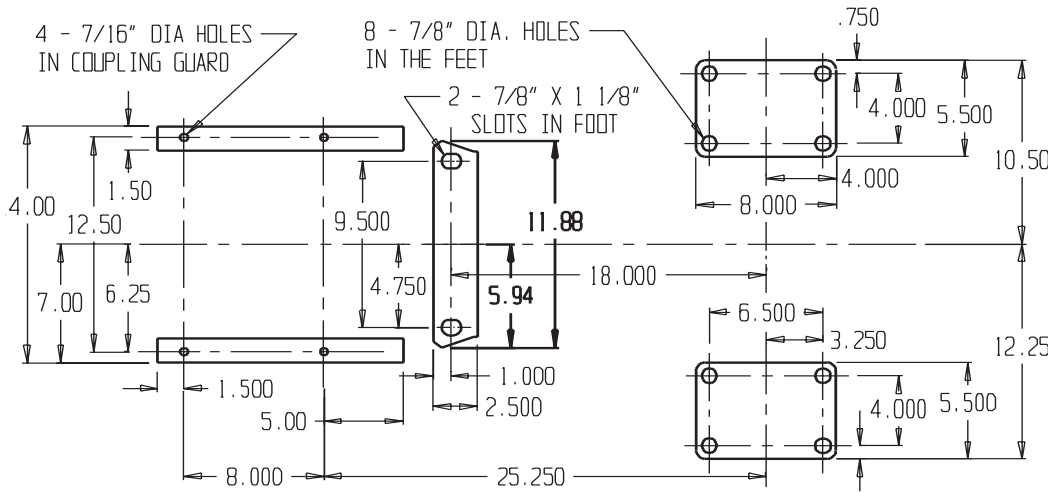


# CECO Dean

700 Emlen Way, Telford, PA 18969 USA  
 Phone: 215.723.8155, Fax: 215-723-2197, Toll Free: 800-392-7621  
 Email: infofhs@onececo.com • Website: cecoenviro.com

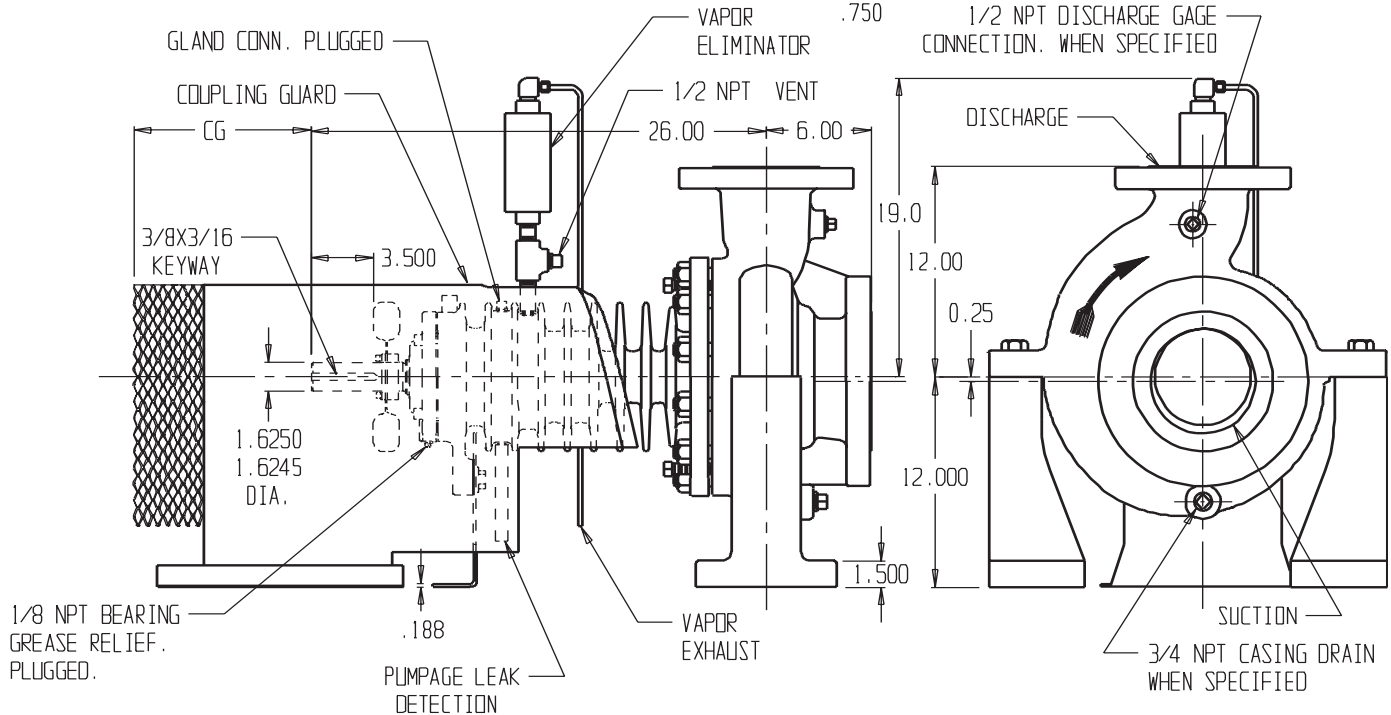
## SERIES RWA FAN COOLED HOT WATER PUMPS DIMENSIONAL DRAWINGS

### RWA-4206 WITH SHAFT FAN



<b>FLANGES:</b>		
A.N.S.I. RATING	... Class 300	
FACING	..... Raised Face	
FINISH	..... 125 Ra	

MOTOR FRAME	CG	FOR CPL SPACER
254T/256T	9.13	5.0
284T/286T	9.75	5.0
324T/326T	10.38	5.0
364T/265T	11.00	5.0
364TS/365TS	8.88	5.0
404TS/405TS	9.38	5.0
444T/445T	14.63	6.0
444TS/445TS	9.88	5.0
447TS/449TS	9.88	5.0



PUMP SIZE	DISCHARGE					SUCTION				
	SIZE	O.D.	THK	B.C.	BOLTS	SIZE	O.D.	THK	B.C.	BOLTS
4 x 6 x 10#1	4	10	1 1/4	7 7/8	8 - 3/4	6	12 1/2	17 1/16	10 5/8	12 - 3/4

All dimensions in inches

**IMPORTANT:** Do not use for construction unless certified.

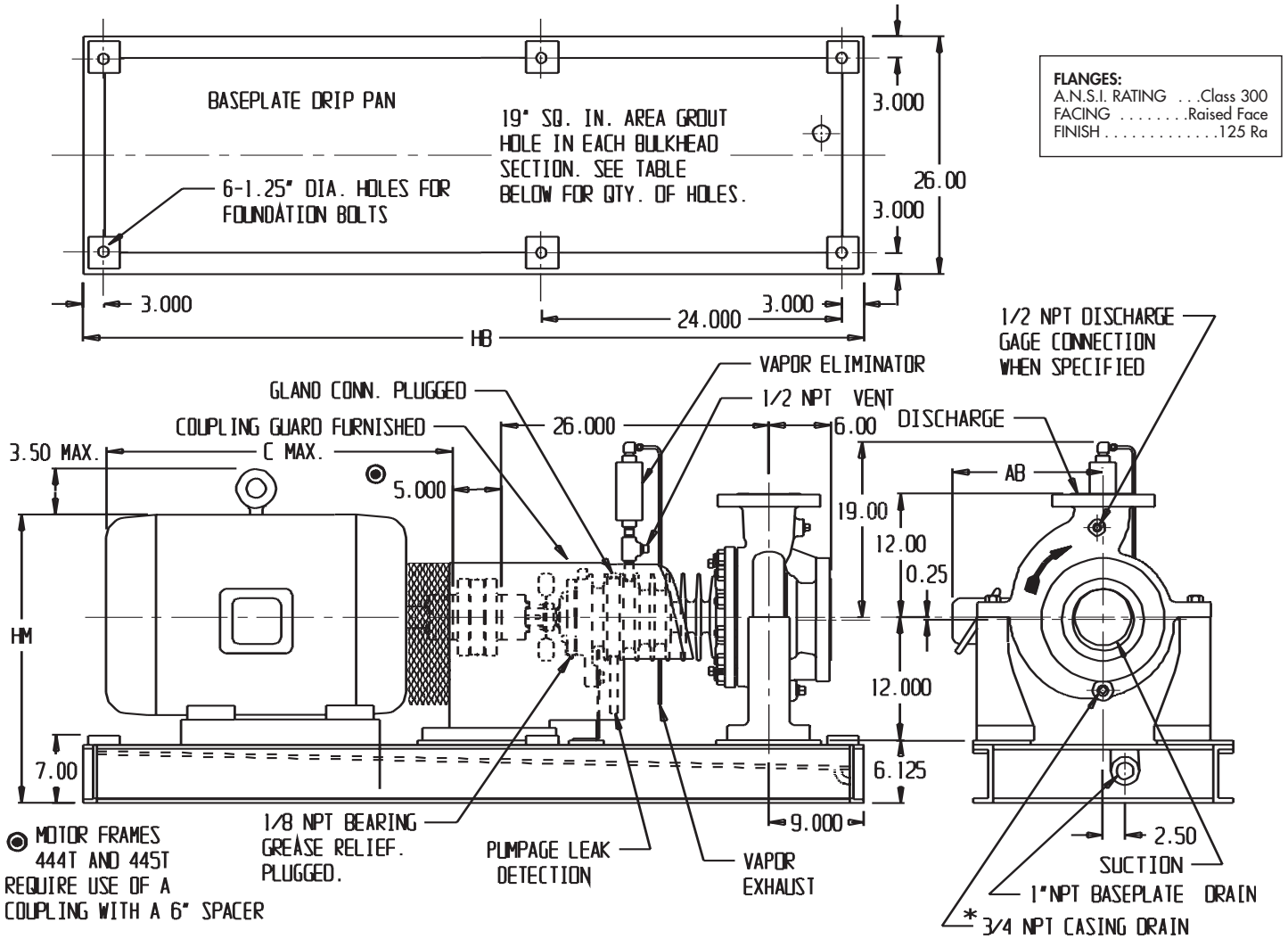
**DIMENSION DWG.  
 NO. RWA-2002**

# CECO Dean

700 Emlen Way, Telford, PA 18969 USA  
 Phone: 215.723.8155, Fax: 215-723-2197, Toll Free: 800-392-7621  
 Email: infofhs@onececo.com • Website: cecoenviro.com

## SERIES RWA FAN COOLED HOT WATER PUMPS DIMENSIONAL DRAWINGS

### RWA-4206 WITH SHAFT FAN



\*The 2 x 4 x 15 1/2 pump has a 1/2" NPT drain

PUMP SIZE	DISCHARGE					SUCTION				
	SIZE	O.D.	THK	B.C.	BOLTS	SIZE	O.D.	THK	B.C.	BOLTS
4 x 6 x 10#1	4	10	1 1/4	7 7/8	8-3/4	6	12 1/2	1 7/16	10 5/8	12-3/4

All dimensions in inches

FRAME	C	AB	HB	HM	QTY. OF GROUT HOLES
254T	22 7/8	11	68	24 7/8	3
256T	24 3/4	11	68	24 7/8	3
284T	26 3/4	12 3/4	68	25 5/8	3
286T	28 1/4	12 3/4	68	25 5/8	3
324TS	28 1/4	14 3/4	72	26 5/8	3
324T	29 3/4	14 3/4	72	26 5/8	3
326TS	29 3/4	14 3/4	72	26 5/8	3
326T	31 1/4	14 3/4	72	26 5/8	3
364TS	31 1/4	16 1/4	72	27 7/8	3

All dimensions in inches

FRAME	C	AB	HB	HM	QTY. OF GROUT HOLES
364T	32 7/8	16 1/4	72	27 7/8	3
365TS	32 1/4	16 1/4	72	27 7/8	3
365T	33 7/8	16 1/4	72	27 7/8	3
404TS	33 1/2	17 1/2	78	28 7/8	5
404T	36 1/2	17 1/2	78	28 7/8	5
405TS	35	17 1/2	78	28 7/8	5
405T	38	17 1/2	78	28 7/8	5
444TS	38 1/2	18 1/2	82	30 3/8	5
445TS	40 1/2	18 1/2	82	30 3/8	5

**IMPORTANT:** Do not use for construction unless certified.

**DIMENSION DWG.  
 NO. RWA-2032**



# CECO Dean

700 Emlen Way, Telford, PA 18969 USA  
 Phone: 215.723.8155, Fax: 215-723-2197, Toll Free: 800-392-7621  
 Email: info@onececo.com • Website: cecoenviro.com

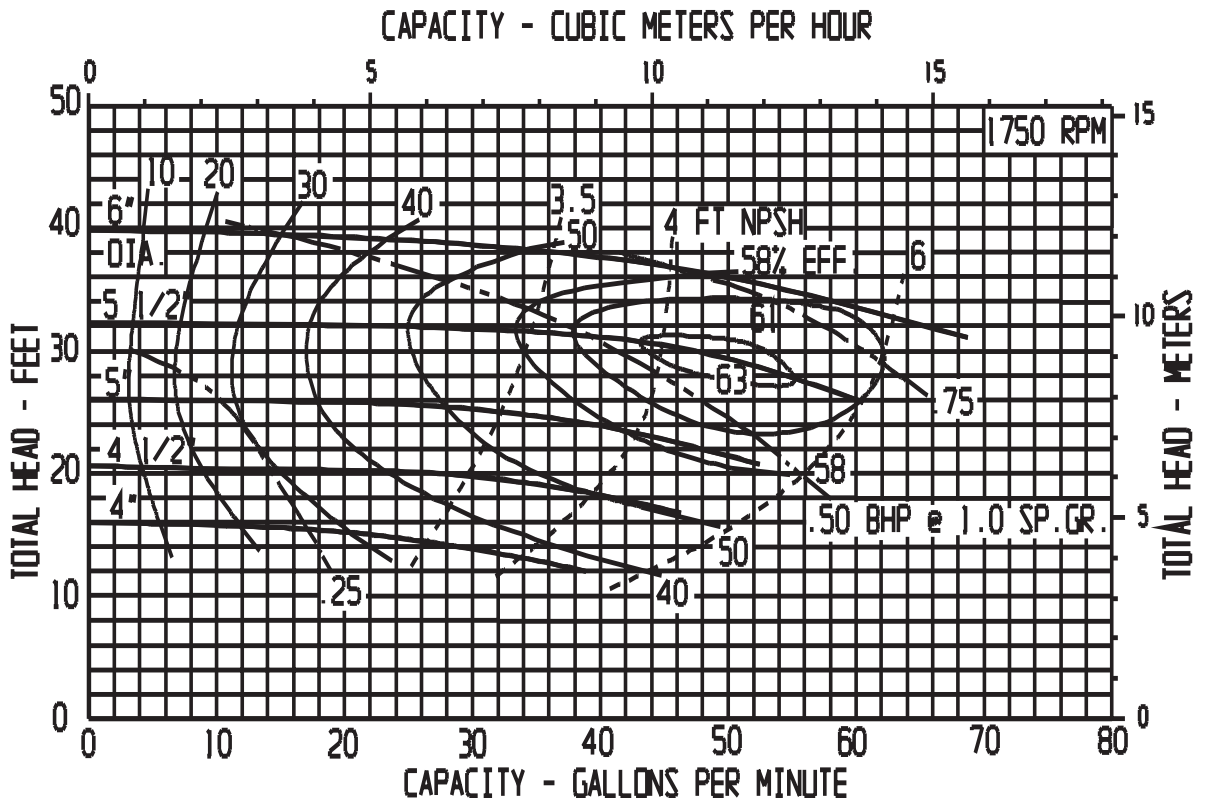
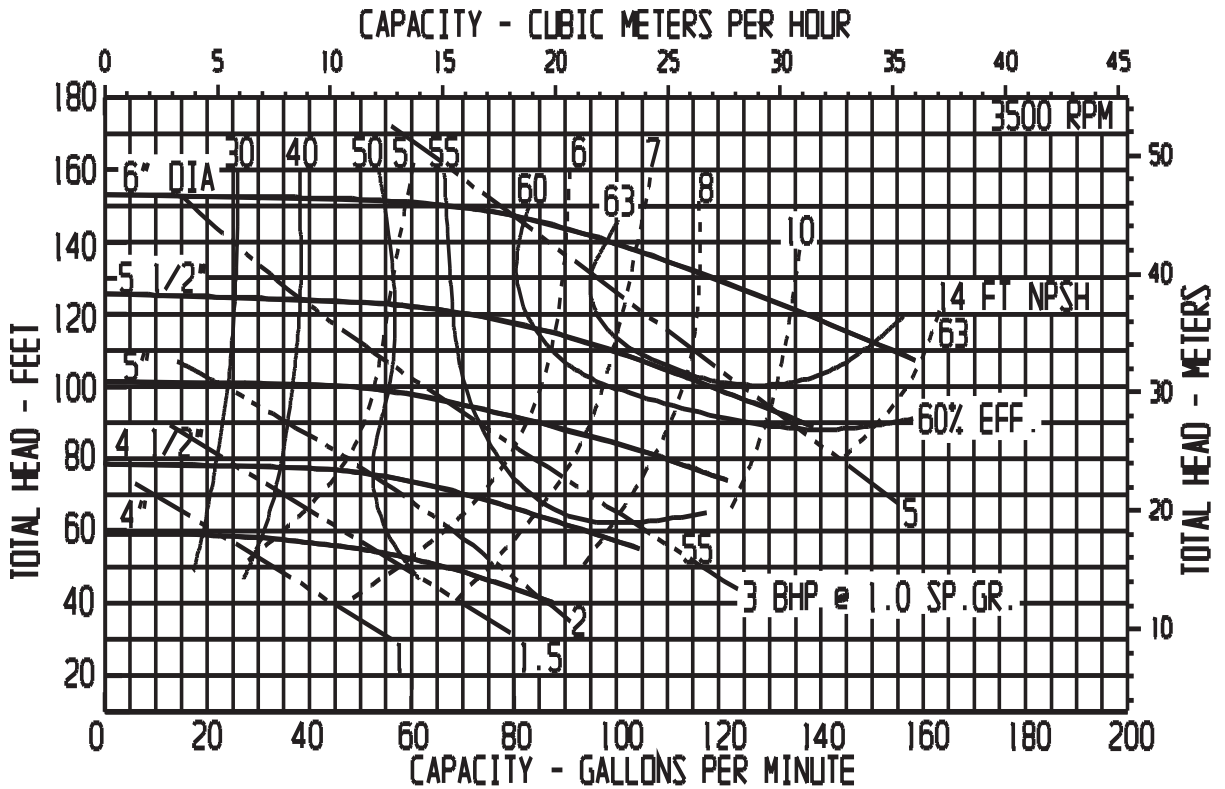
CENTRIFUGAL PUMP PERFORMANCE DATA: CURVE RA1060-A2

PUMP SIZE: 1" X 1 1/2" X 6"

PUMP TYPE: RA2096 & RWA2096 FAN COOLED

1" DISCHARGE X 1 1/2" SUCTION

**PUMP PERFORMANCE:** This curve, based on extensive tests, defines the average performance of this pump for liquids having a viscosity of 70 SSU or less. Actual performance of individual units may differ slightly from the performance indicated on this curve. Pump applications made from the data contained herein are subject to confirmation and acceptance by our Engineering Department at our Indianapolis Office.



# CECO Dean

700 Emlen Way, Telford, PA 18969 USA  
 Phone: 215.723.8155, Fax: 215-723-2197, Toll Free: 800-392-7621  
 Email: info@ceco.com • Website: cecoenviro.com

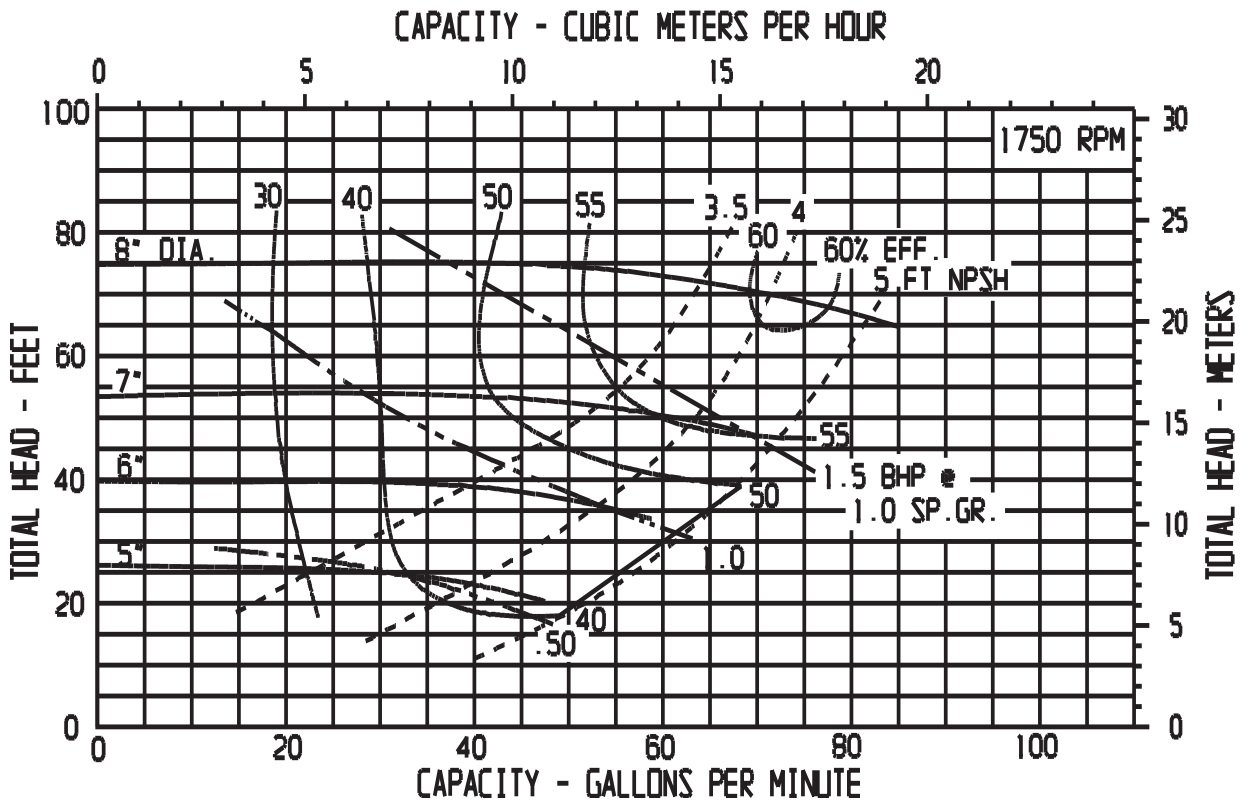
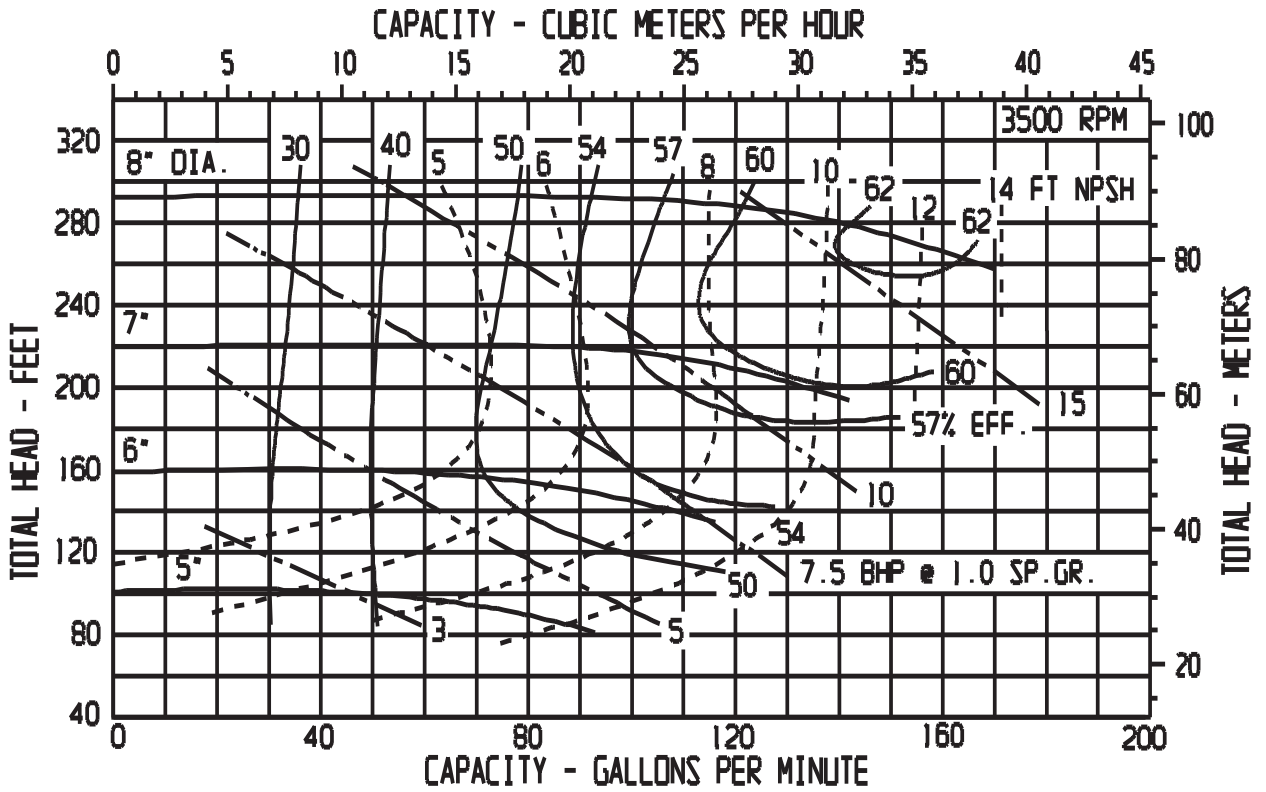
CENTRIFUGAL PUMP PERFORMANCE DATA: CURVE RA1080-A2

PUMP SIZE: 1" X 1 1/2" X 8"

PUMP TYPE: RA2096 & RWA2096 FAN COOLED

1" DISCHARGE X 1 1/2" SUCTION

**PUMP PERFORMANCE:** This curve, based on extensive tests, defines the average performance of this pump for liquids having a viscosity of 70 SSU or less. Actual performance of individual units may differ slightly from the performance indicated on this curve. Pump applications made from the data contained herein are subject to confirmation and acceptance by our Engineering Department at our Indianapolis Office.



# CECO Dean

700 Emlen Way, Telford, PA 18969 USA  
 Phone: 215.723.8155, Fax: 215-723-2197, Toll Free: 800-392-7621  
 Email: info@onececo.com • Website: cecoenviro.com

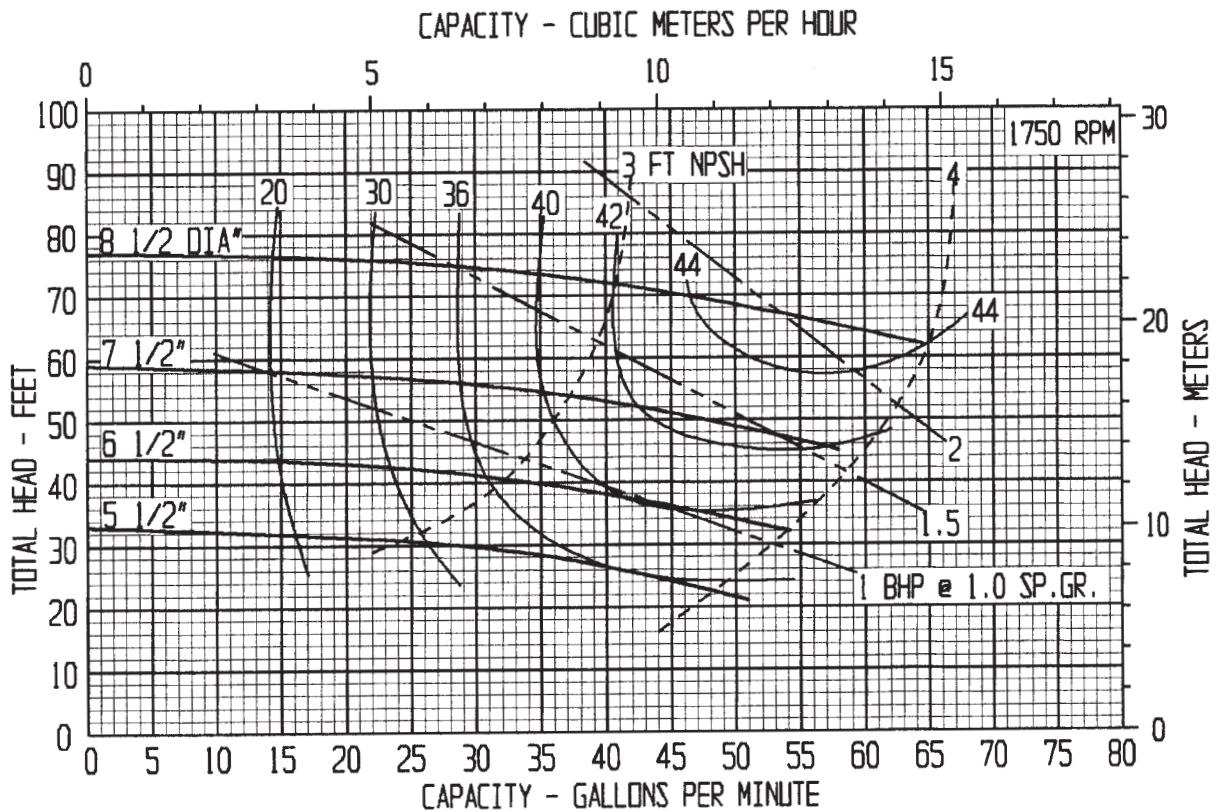
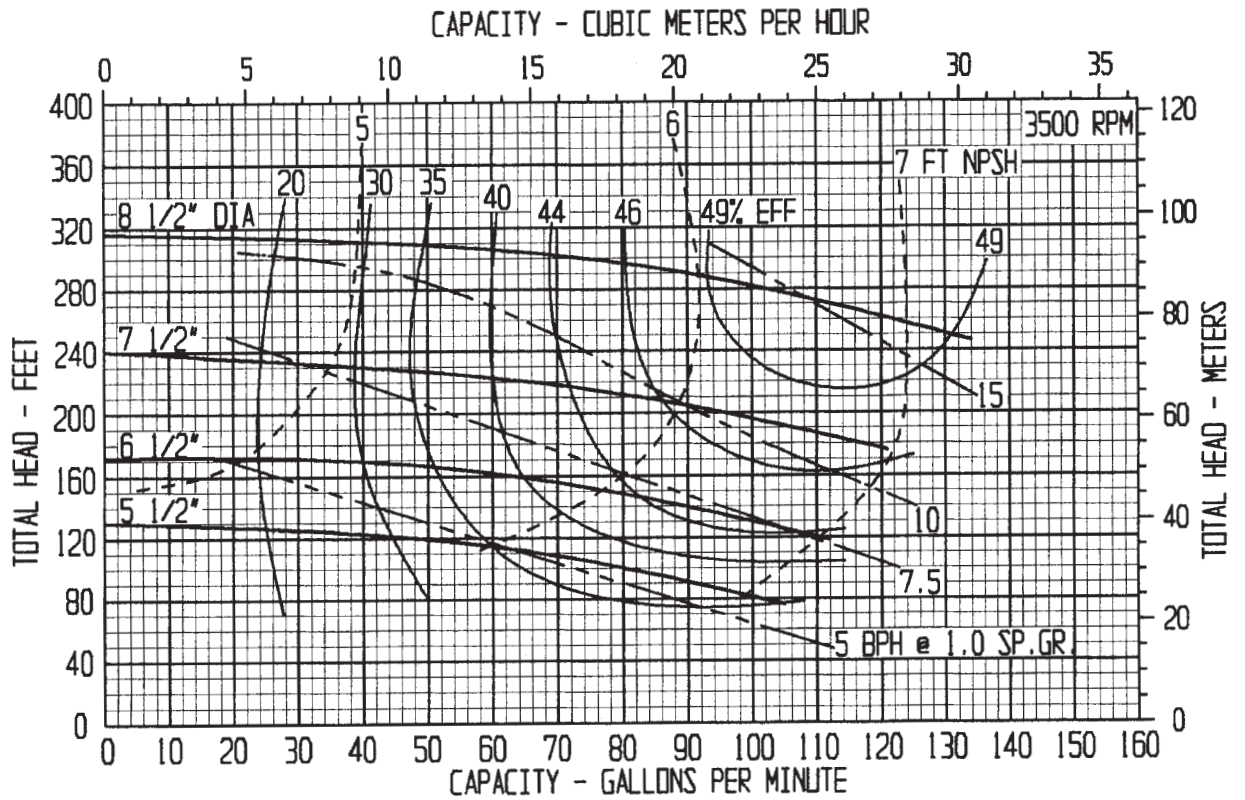
CENTRIFUGAL PUMP PERFORMANCE DATA: CURVE R1085-A2

PUMP SIZE: 1" X 3" X 8 1/2"

PUMP TYPE: RA3146 & RWA4166 FAN COOLED

1" DISCHARGE X 3" SUCTION

**PUMP PERFORMANCE:** This curve, based on extensive tests, defines the average performance of this pump for liquids having a viscosity of 70 SSU or less. Actual performance of individual units may differ slightly from the performance indicated on this curve. Pump applications made from the data contained herein are subject to confirmation and acceptance by our Engineering Department at our Indianapolis Office.



# CECO Dean

700 Emlen Way, Telford, PA 18969 USA  
 Phone: 215.723.8155, Fax: 215-723-2197, Toll Free: 800-392-7621  
 Email: infofhs@onececo.com • Website: cecoenviro.com

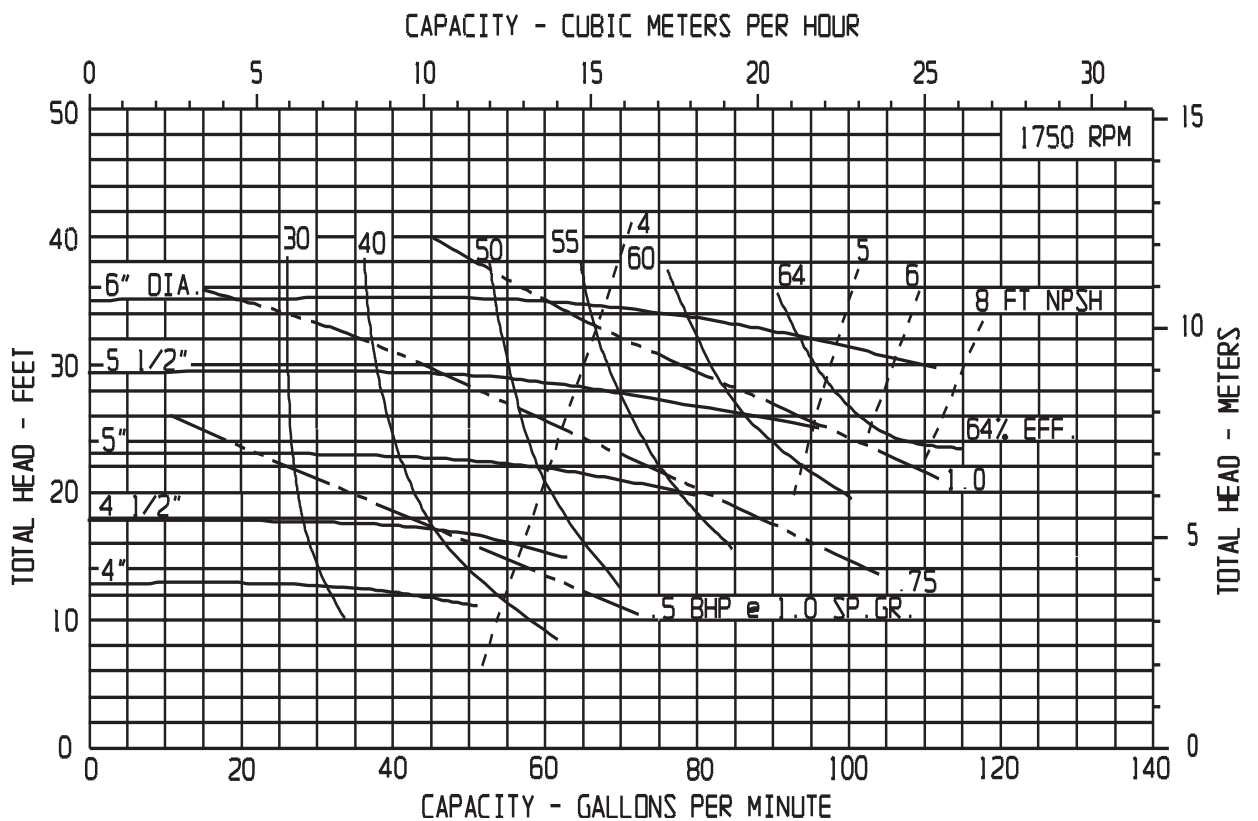
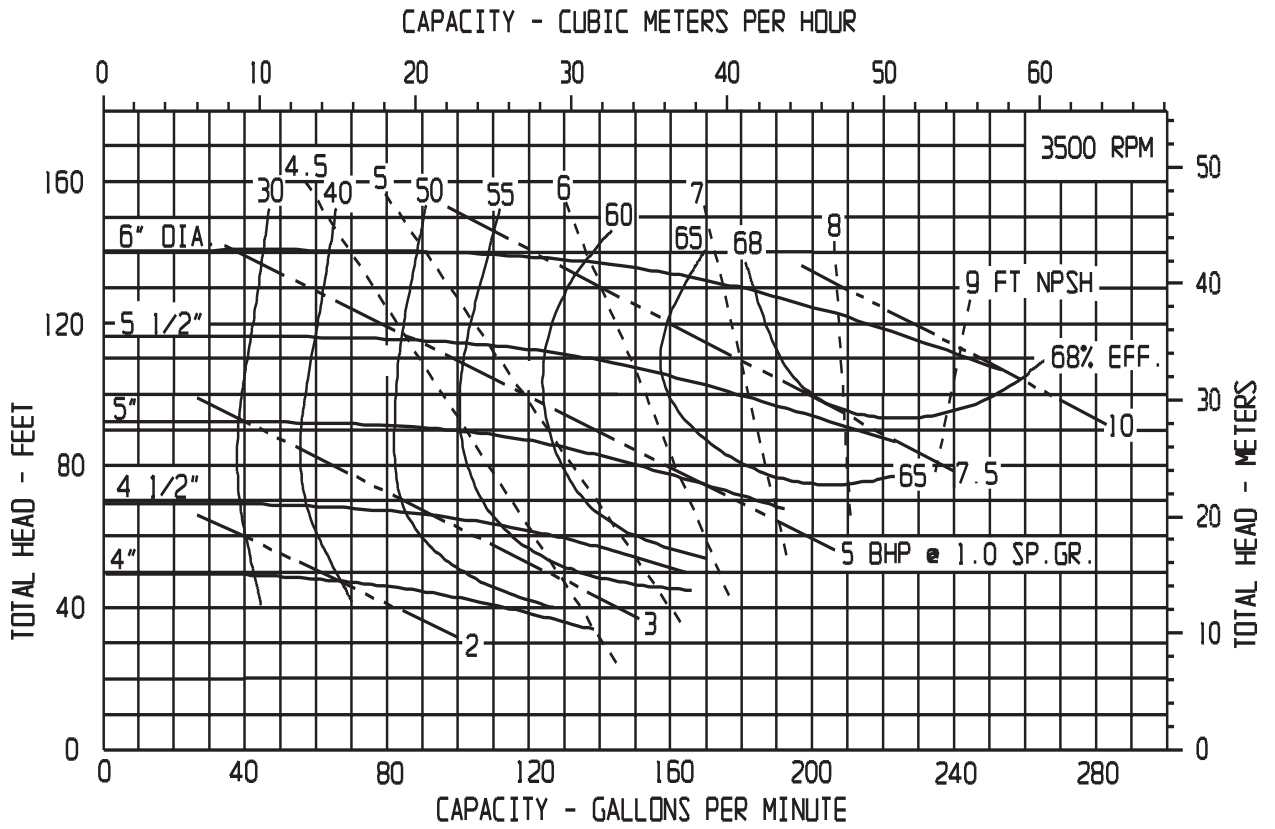
CENTRIFUGAL PUMP PERFORMANCE DATA: CURVE RA1560-A2

PUMP SIZE: 1 1/2" X 3" X 6"

PUMP TYPE: RA2096 & RWA2096 FAN COOLED

1 1/2" DISCHARGE X 3" SUCTION

**PUMP PERFORMANCE:** This curve, based on extensive tests, defines the average performance of this pump for liquids having a viscosity of 70 SSU or less. Actual performance of individual units may differ slightly from the performance indicated on this curve. Pump applications made from the data contained herein are subject to confirmation and acceptance by our Engineering Department at our Indianapolis Office.





# CECO Dean

700 Emlen Way, Telford, PA 18969 USA  
 Phone: 215.723.8155, Fax: 215-723-2197, Toll Free: 800-392-7621  
 Email: info@ceco.com • Website: cecoenviro.com

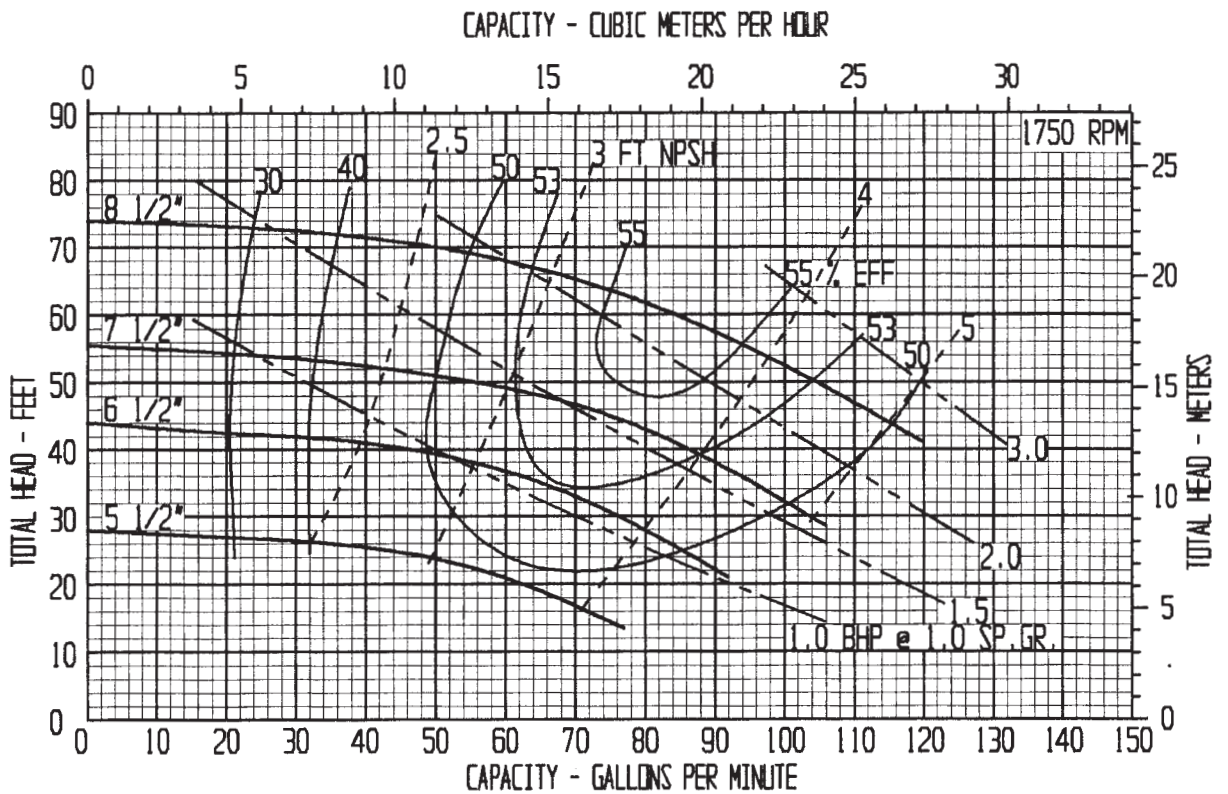
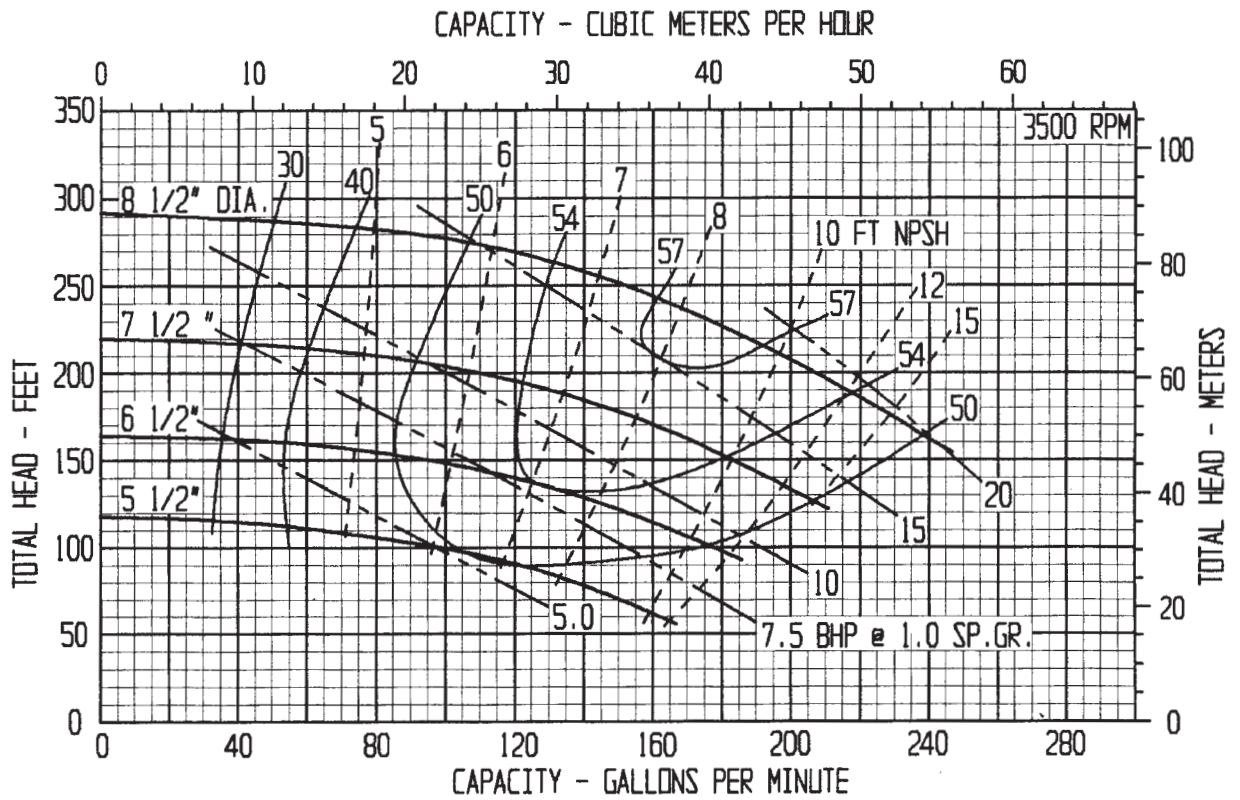
CENTRIFUGAL PUMP PERFORMANCE DATA: CURVE R1585-A2

PUMP SIZE: 1 1/2" X 3" X 8 1/2"

PUMP TYPE: RA3146 & RWA4166 FAN COOLED

1 1/2" DISCHARGE X 3" SUCTION

**PUMP PERFORMANCE:** This curve, based on extensive tests, defines the average performance of this pump for liquids having a viscosity of 70 SSU or less. Actual performance of individual units may differ slightly from the performance indicated on this curve. Pump applications made from the data contained herein are subject to confirmation and acceptance by our Engineering Department at our Indianapolis Office.



# CECO Dean

700 Emlen Way, Telford, PA 18969 USA  
 Phone: 215.723.8155, Fax: 215-723-2197, Toll Free: 800-392-7621  
 Email: infofhs@onececo.com • Website: ceceoenviro.com

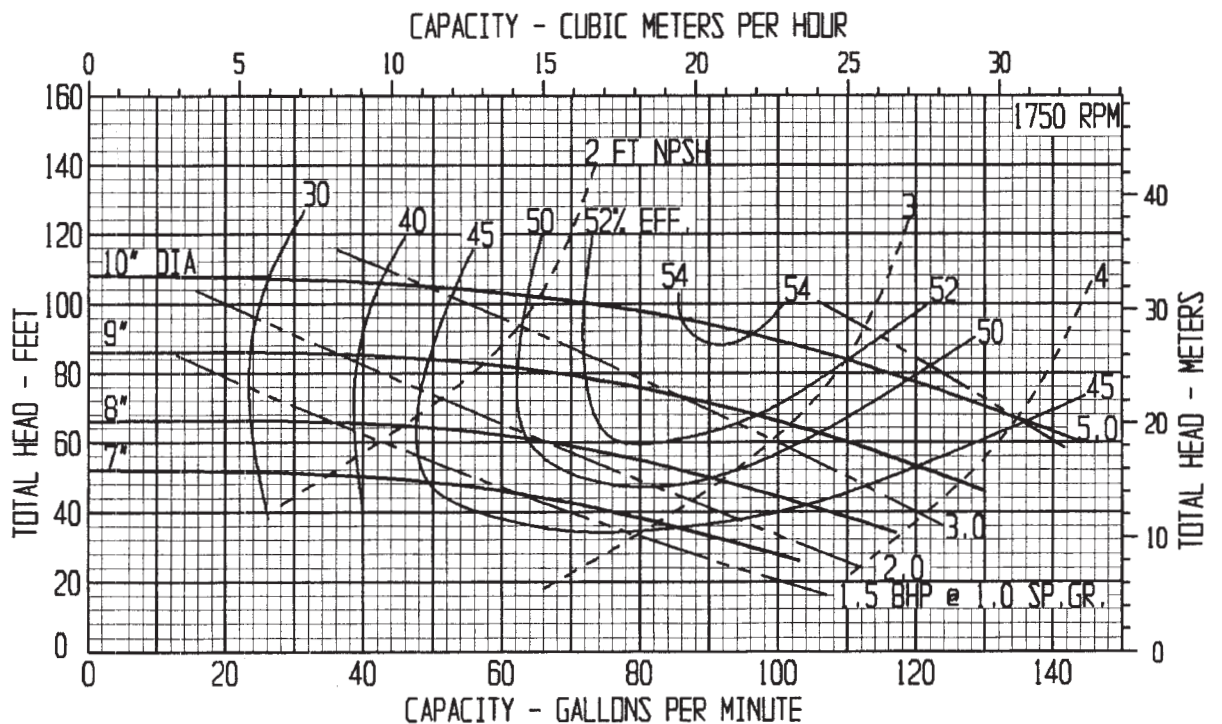
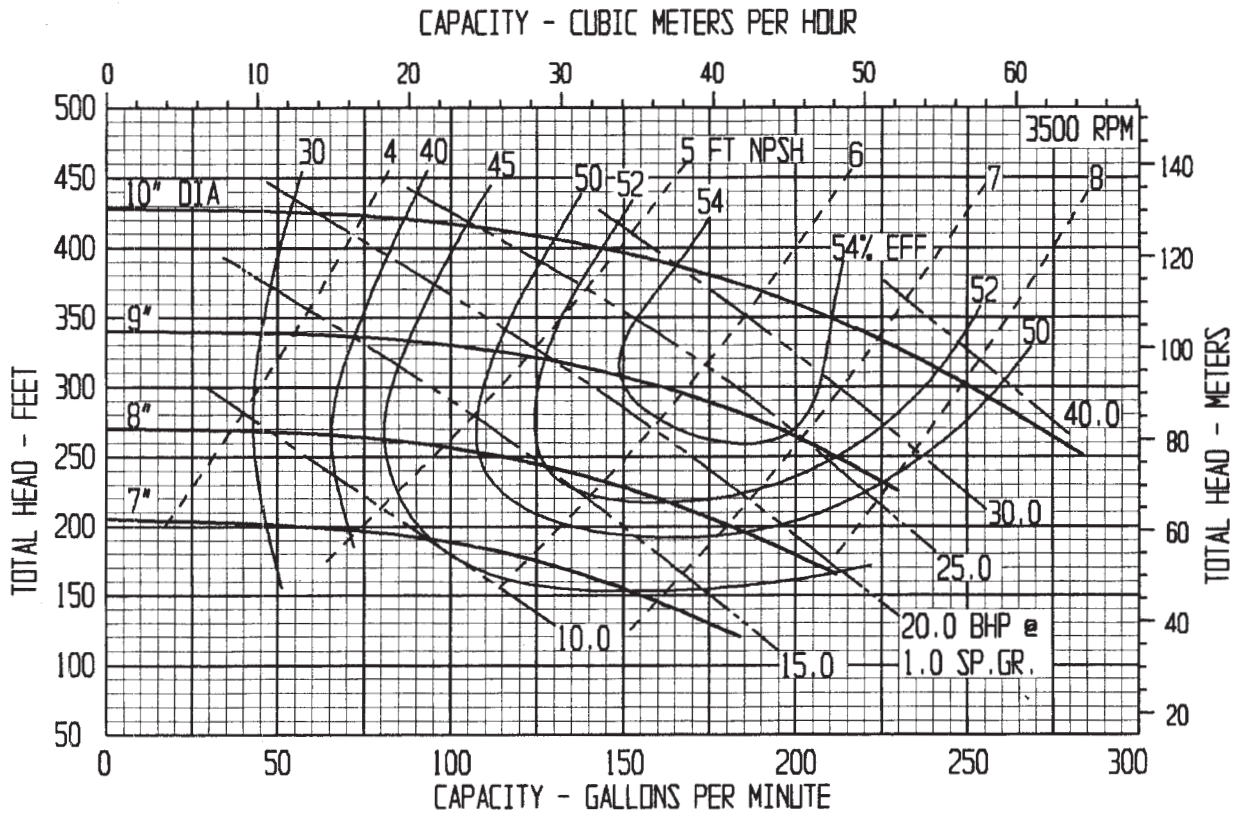
CENTRIFUGAL PUMP PERFORMANCE DATA: CURVE R15100-A2

PUMP SIZE: 1 1/2" X 3" X 10"

PUMP TYPE: RA3146 & RWA4166 FAN COOLED

1 1/2" DISCHARGE X 3" SUCTION

**PUMP PERFORMANCE:** This curve, based on extensive tests, defines the average performance of this pump for liquids having a viscosity of 70 SSU or less. Actual performance of individual units may differ slightly from the performance indicated on this curve. Pump applications made from the data contained herein are subject to confirmation and acceptance by our Engineering Department at our Indianapolis Office.





# CECO Dean

700 Emlen Way, Telford, PA 18969 USA  
 Phone: 215.723.8155, Fax: 215-723-2197, Toll Free: 800-392-7621  
 Email: infohqs@onececo.com • Website: ceceoenviro.com

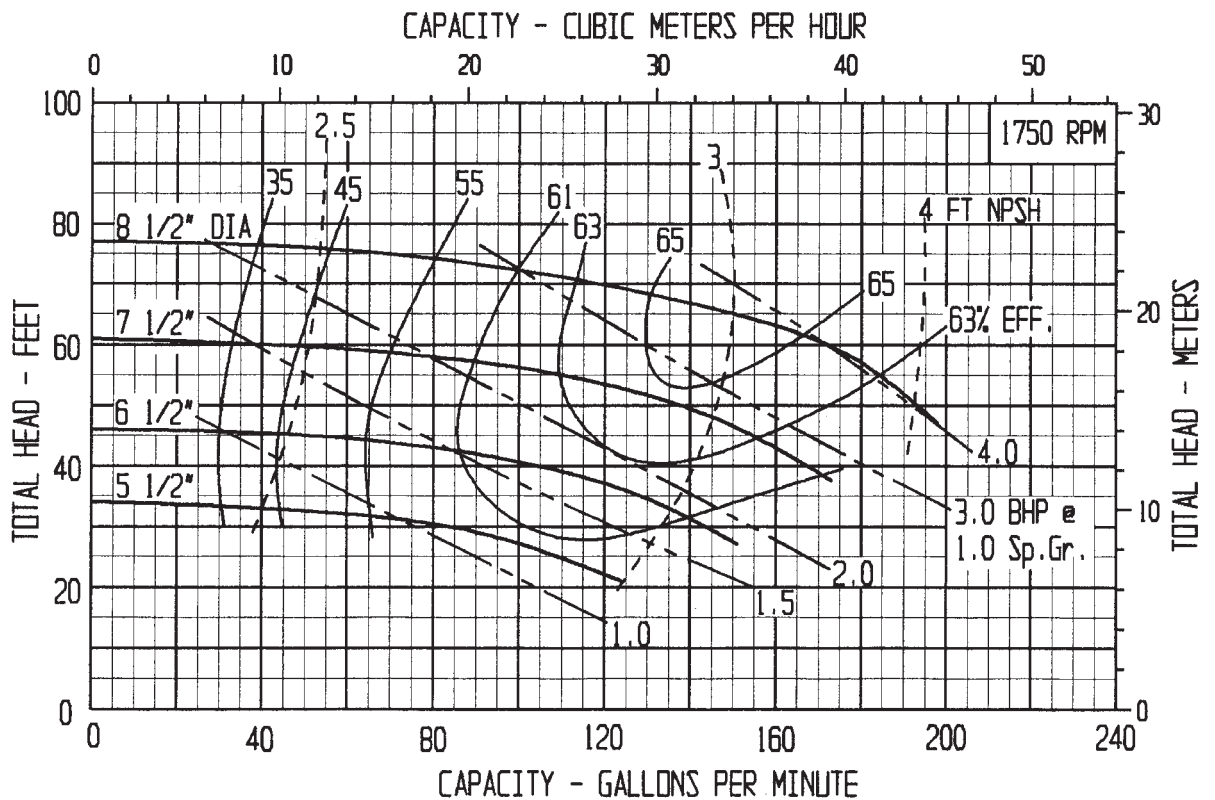
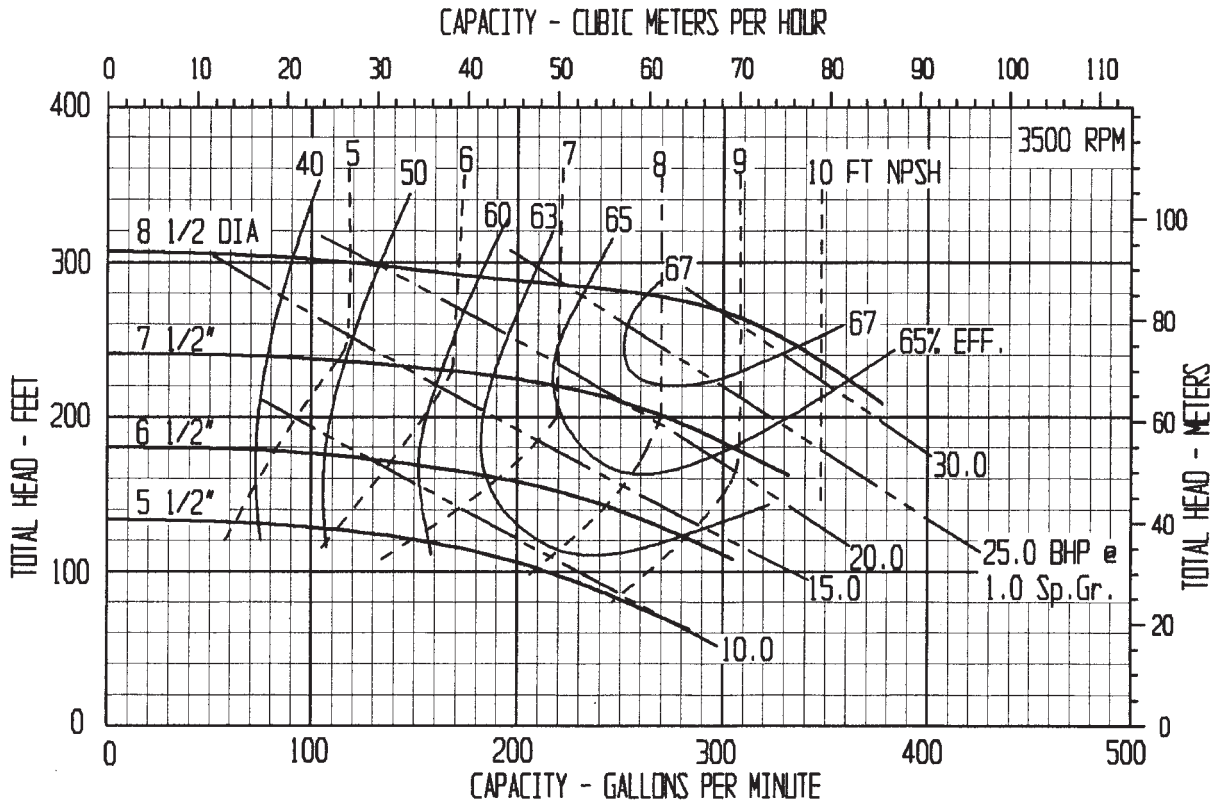
CENTRIFUGAL PUMP PERFORMANCE DATA: CURVE R2085-A2

PUMP SIZE: 2" X 3" X 8 1/2"

PUMP TYPE: RA3146 & RWA4166 FAN COOLED

2" DISCHARGE X 3" SUCTION

**PUMP PERFORMANCE:** This curve, based on extensive tests, defines the average performance of this pump for liquids having a viscosity of 70 SSU or less. Actual performance of individual units may differ slightly from the performance indicated on this curve. Pump applications made from the data contained herein are subject to confirmation and acceptance by our Engineering Department at our Indianapolis Office.



# CECO Dean

700 Emlen Way, Telford, PA 18969 USA  
 Phone: 215.723.8155, Fax: 215-723-2197, Toll Free: 800-392-7621  
 Email: infofhs@onececo.com • Website: cecoenviro.com

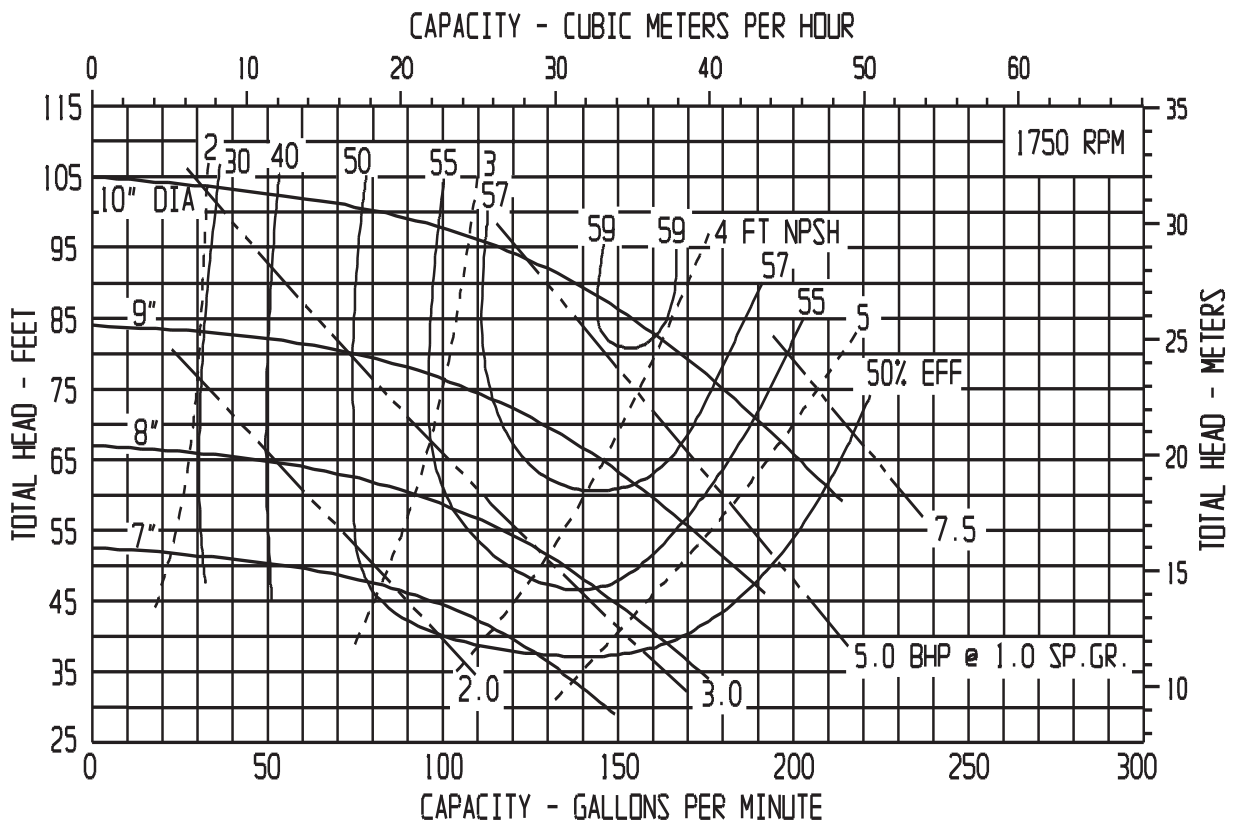
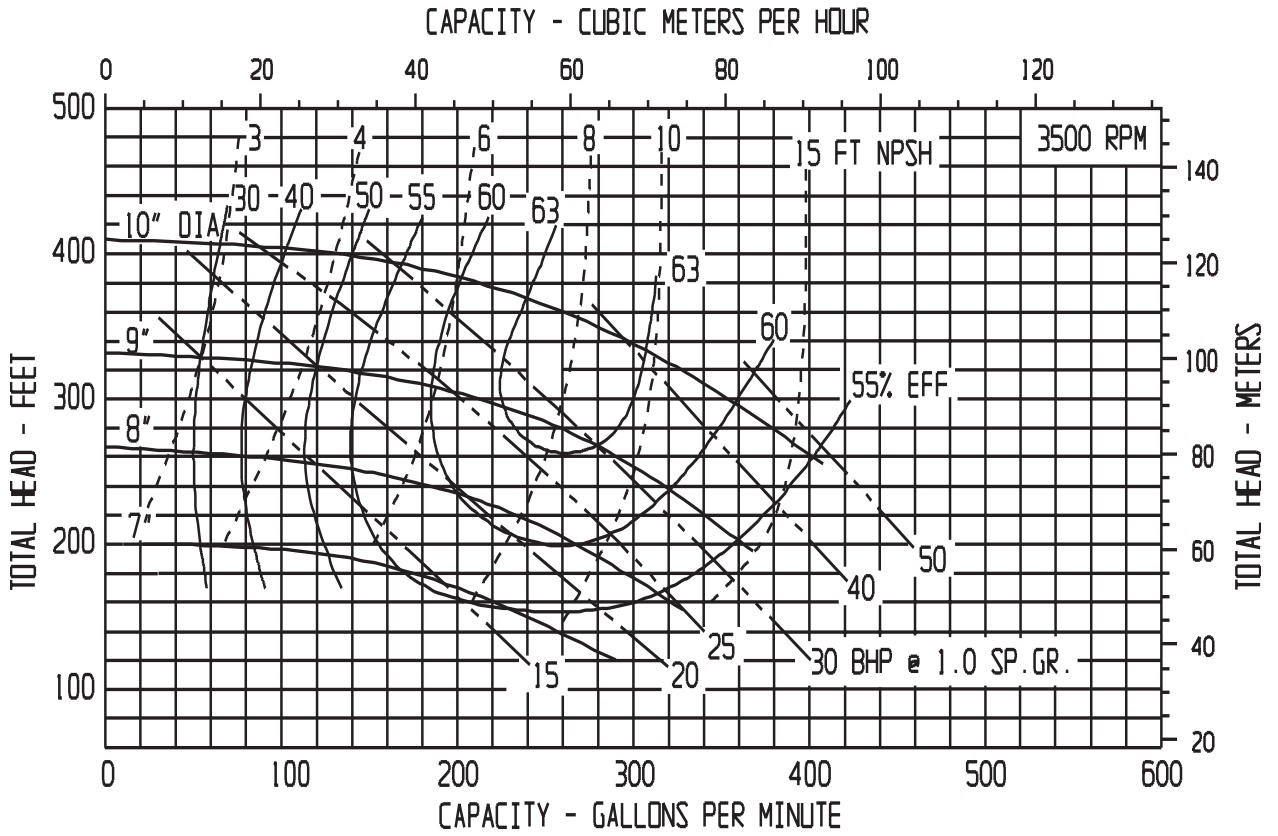
CENTRIFUGAL PUMP PERFORMANCE DATA: CURVE R20100-A2

PUMP SIZE: 2" X 3" X 10"

PUMP TYPE: RA3146 & RWA4166 FAN COOLED

2" DISCHARGE X 3" SUCTION

**PUMP PERFORMANCE:** This curve, based on extensive tests, defines the average performance of this pump for liquids having a viscosity of 70 SSU or less. Actual performance of individual units may differ slightly from the performance indicated on this curve. Pump applications made from the data contained herein are subject to confirmation and acceptance by our Engineering Department at our Indianapolis Office.



# CECO Dean

700 Emlen Way, Telford, PA 18969 USA  
 Phone: 215.723.8155, Fax: 215-723-2197, Toll Free: 800-392-7621  
 Email: infofhs@onececo.com • Website: ceceoviro.com

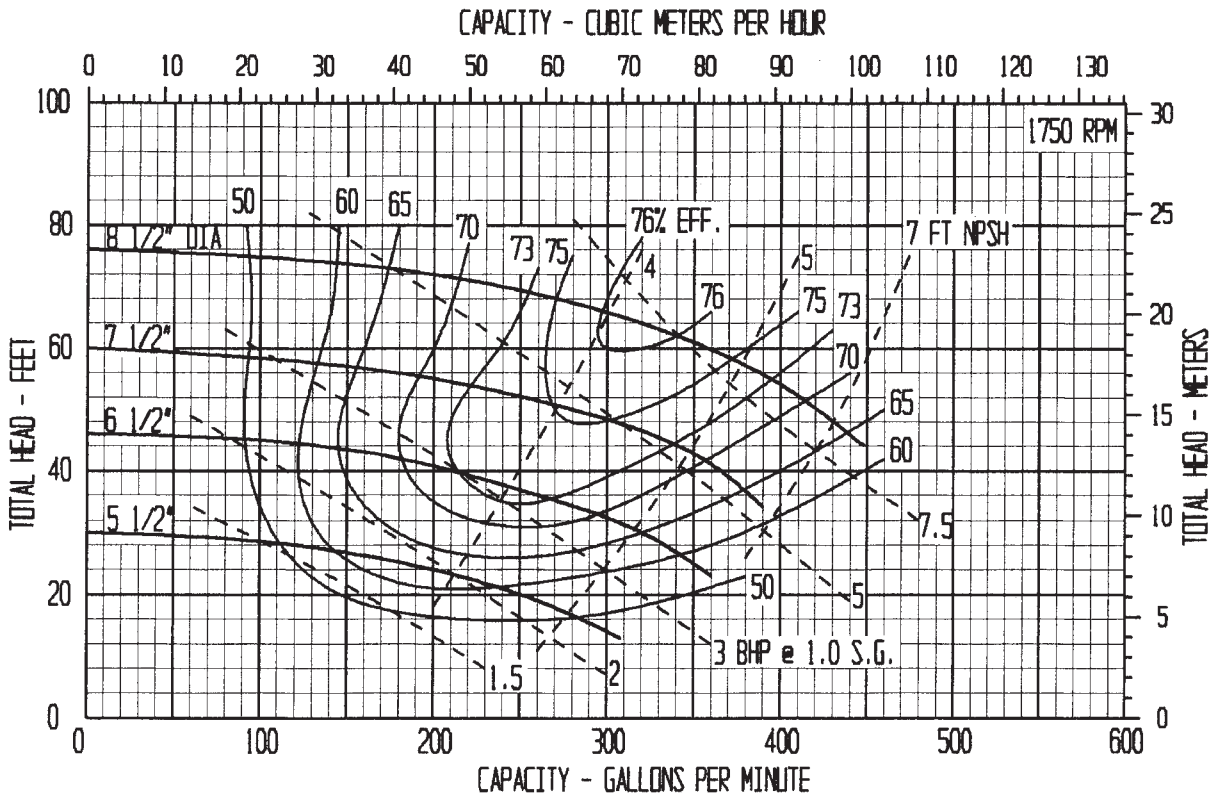
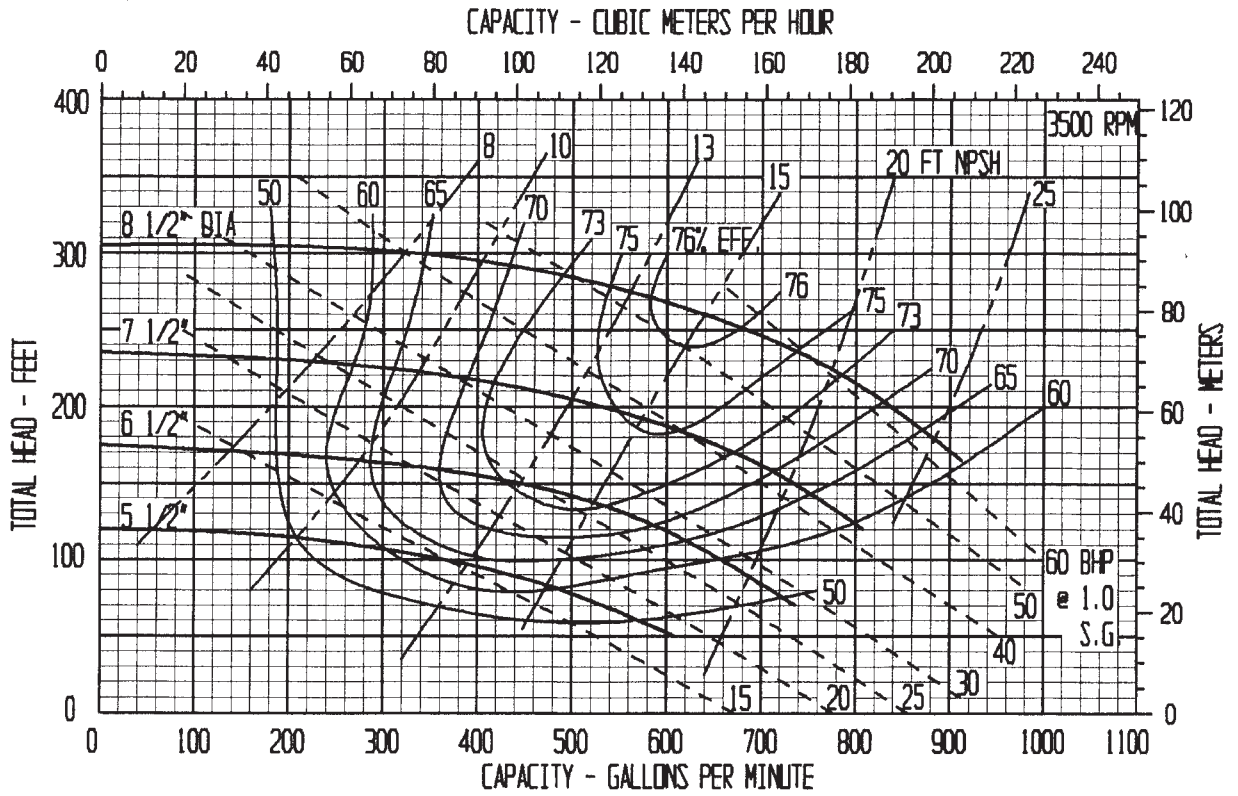
CENTRIFUGAL PUMP PERFORMANCE DATA: CURVE R3085-A1

PUMP SIZE: 3" X 4" X 8 1/2"

PUMP TYPE: R4140, R5140, RA3146 & RWA4166

3" DISCHARGE X 4" SUCTION

**PUMP PERFORMANCE:** This curve, based on extensive tests, defines the average performance of this pump for liquids having a viscosity of 70 SSU or less. Actual performance of individual units may differ slightly from the performance indicated on this curve. Pump applications made from the data contained herein are subject to confirmation and acceptance by our Engineering Department at our Indianapolis Office.





# CECO Dean

700 Emlen Way, Telford, PA 18969 USA  
 Phone: 215.723.8155, Fax: 215-723-2197, Toll Free: 800-392-7621  
 Email: infohhs@onececo.com • Website: ceceenviro.com

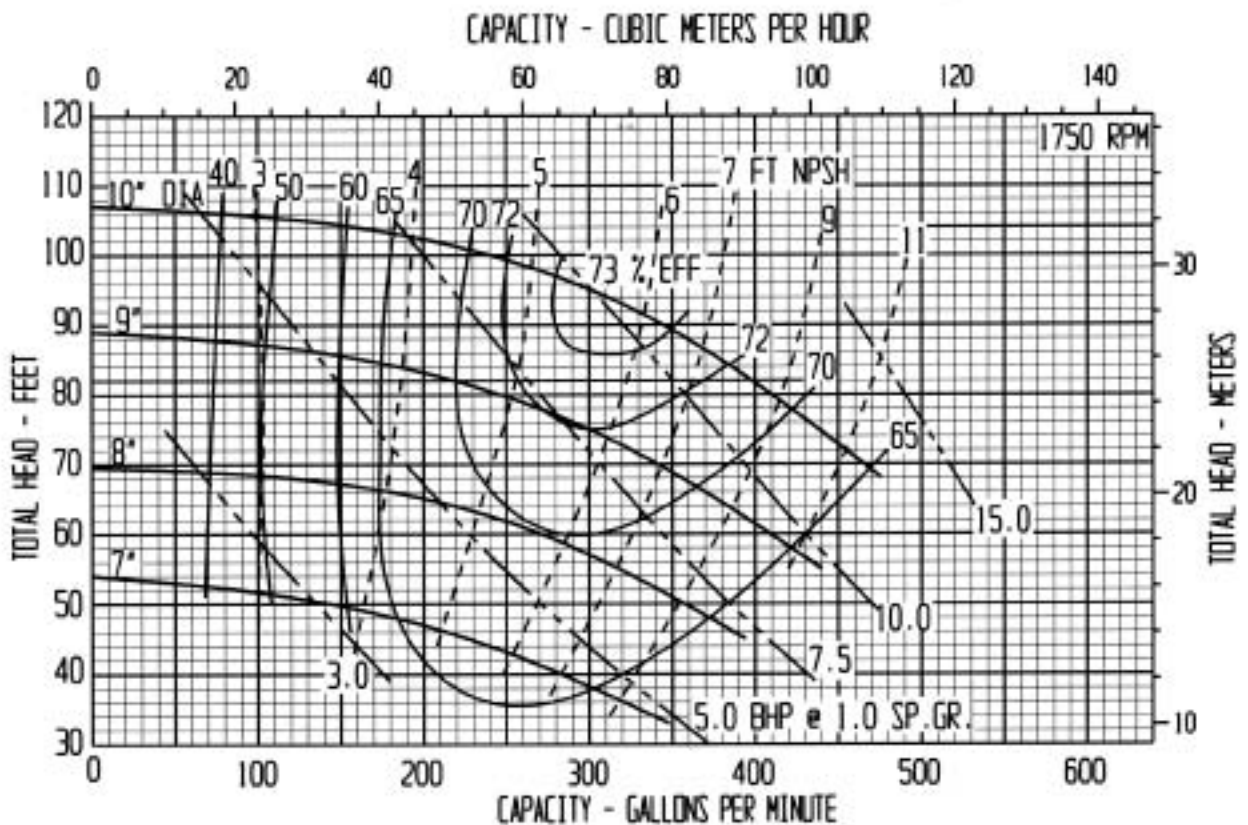
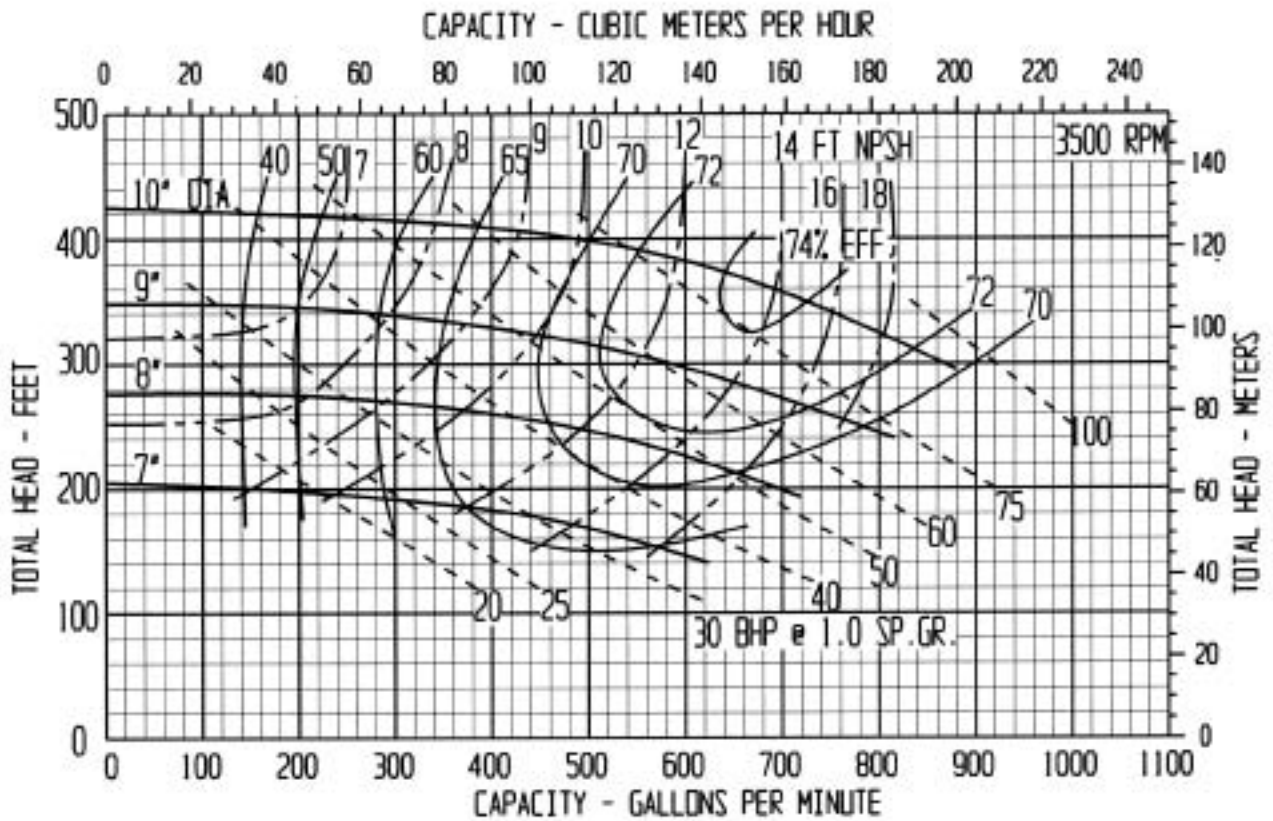
CENTRIFUGAL PUMP PERFORMANCE DATA: CURVE R30100-A1

PUMP SIZE: 3" X 4" X 10"

PUMP TYPE: RA3146 & RWA4166

3" DISCHARGE X 4" SUCTION

**PUMP PERFORMANCE:** This curve, based on extensive tests, defines the average performance of this pump for liquids having a viscosity of 70 SSU or less. Actual performance of individual units may differ slightly from the performance indicated on this curve. Pump applications made from the data contained herein are subject to confirmation and acceptance by our Engineering Department at our Indianapolis Office.



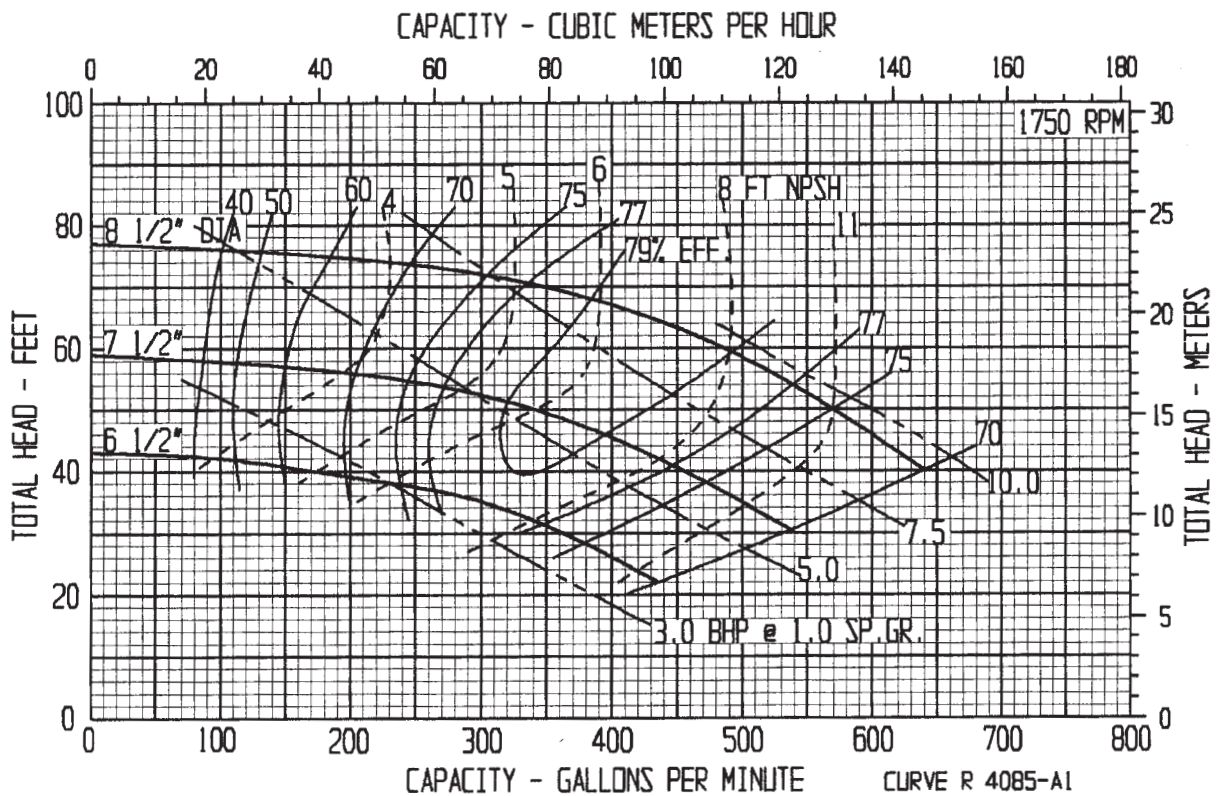
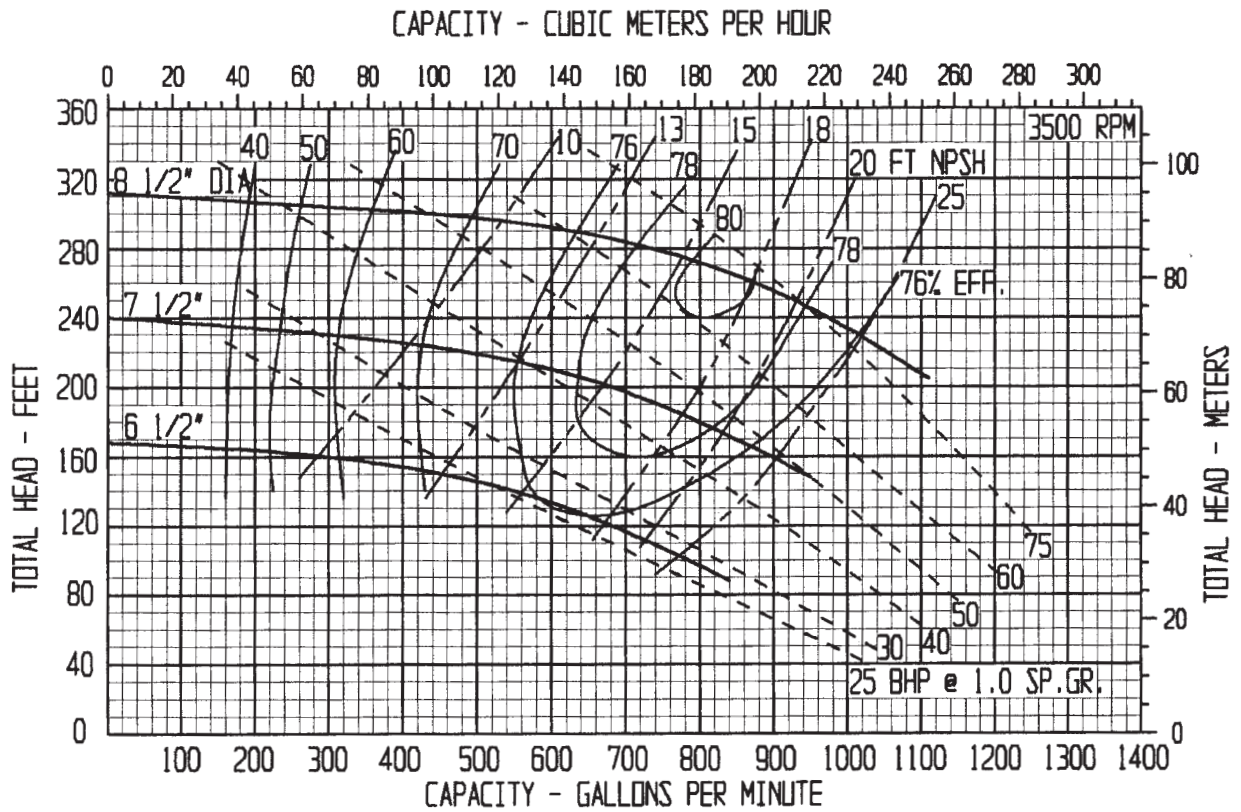
# CECO Dean

700 Emlen Way, Telford, PA 18969 USA  
 Phone: 215.723.8155, Fax: 215-723-2197, Toll Free: 800-392-7621  
 Email: infohhs@onececo.com • Website: ceceoenviro.com

CENTRIFUGAL PUMP PERFORMANCE DATA: CURVE R4085-A1  
 PUMP SIZE: 4" X 6" X 8 1/2"  
 PUMP TYPE: R4140, R5140, RA3146 & RWA4166

4" DISCHARGE X 6" SUCTION

**PUMP PERFORMANCE:** This curve, based on extensive tests, defines the average performance of this pump for liquids having a viscosity of 70 SSU or less. Actual performance of individual units may differ slightly from the performance indicated on this curve. Pump applications made from the data contained herein are subject to confirmation and acceptance by our Engineering Department at our Indianapolis Office.



CURVE R 4085-A1



# CECO Dean

700 Emlen Way, Telford, PA 18969 USA  
 Phone: 215.723.8155, Fax: 215-723-2197, Toll Free: 800-392-7621  
 Email: info@onececo.com • Website: cecoenviro.com

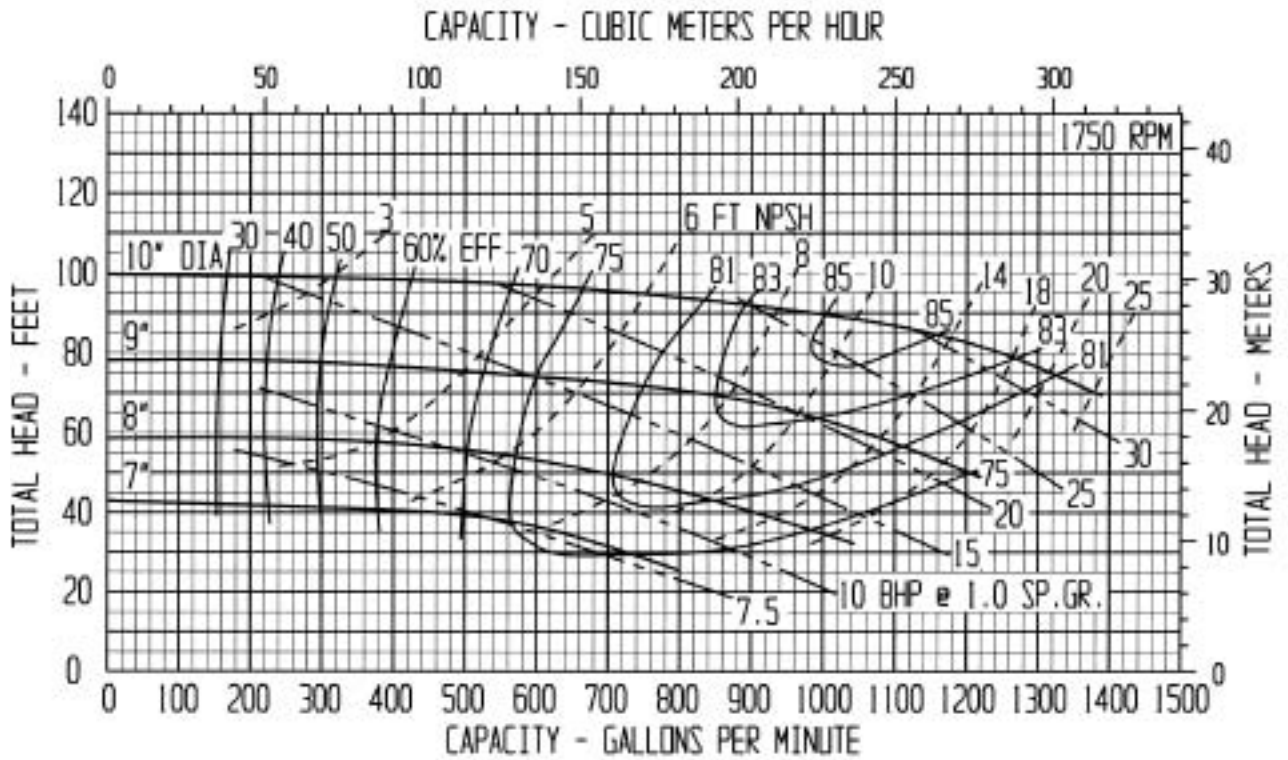
CENTRIFUGAL PUMP PERFORMANCE DATA: CURVE R40100-B2

PUMP SIZE: 4" X 6" X 10" #2

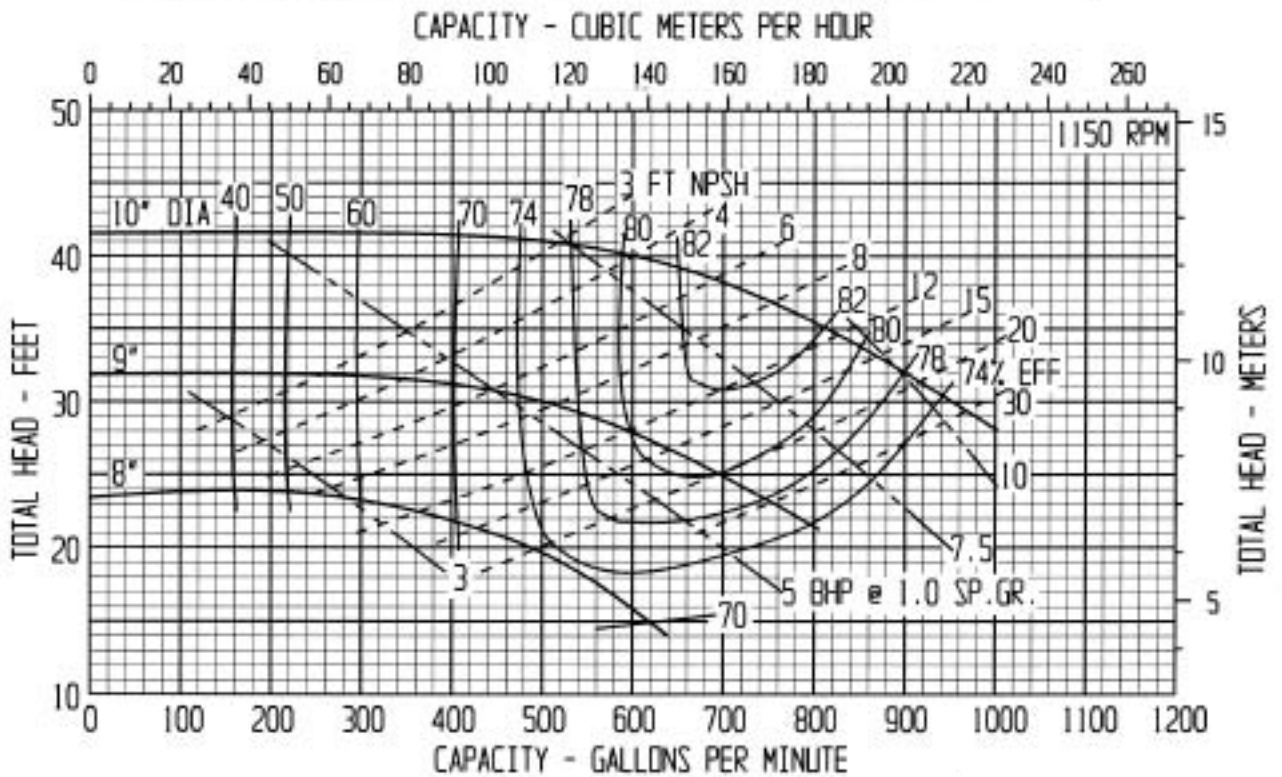
PUMP TYPE: R4140, R5140, RA3146, RWA4166

4" DISCHARGE X 6" SUCTION

**PUMP PERFORMANCE:** This curve, based on extensive tests, defines the average performance of this pump for liquids having a viscosity of 70 SSU or less. Actual performance of individual units may differ slightly from the performance indicated on this curve. Pump applications made from the data contained herein are subject to confirmation and acceptance by our Engineering Department at our Indianapolis Office.



CUSTOMER	_____	ITEM No.	_____
CUSTOMER'S ORDER No.	_____	FACTORY ORDER No.	_____
DEAN PUMP SERIAL No.	_____		





# CECO Dean

700 Emlen Way, Telford, PA 18969 USA  
 Phone: 215.723.8155, Fax: 215-723-2197, Toll Free: 800-392-7621  
 Email: infofhs@onececo.com • Website: cecoenviro.com

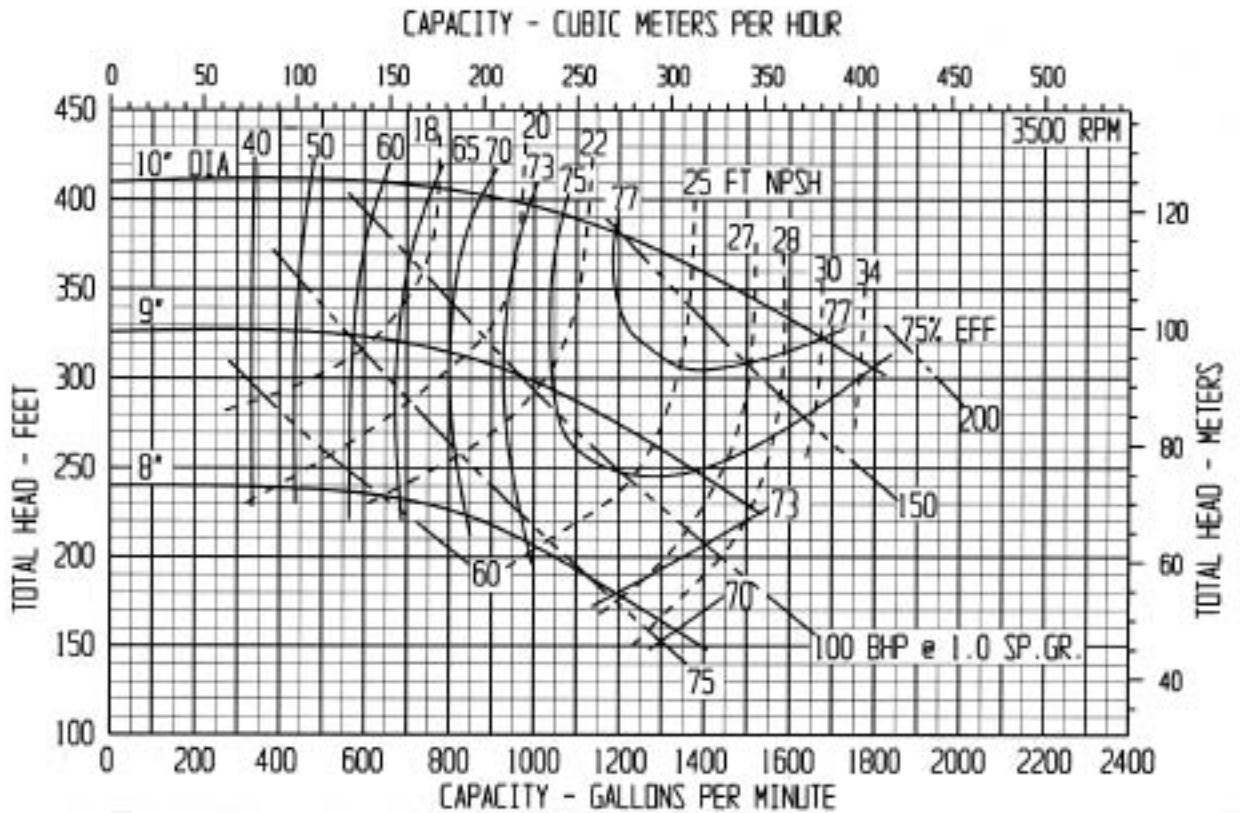
CENTRIFUGAL PUMP PERFORMANCE DATA: CURVE R40100-A1

PUMP SIZE: 4" X 6" X 10" #1

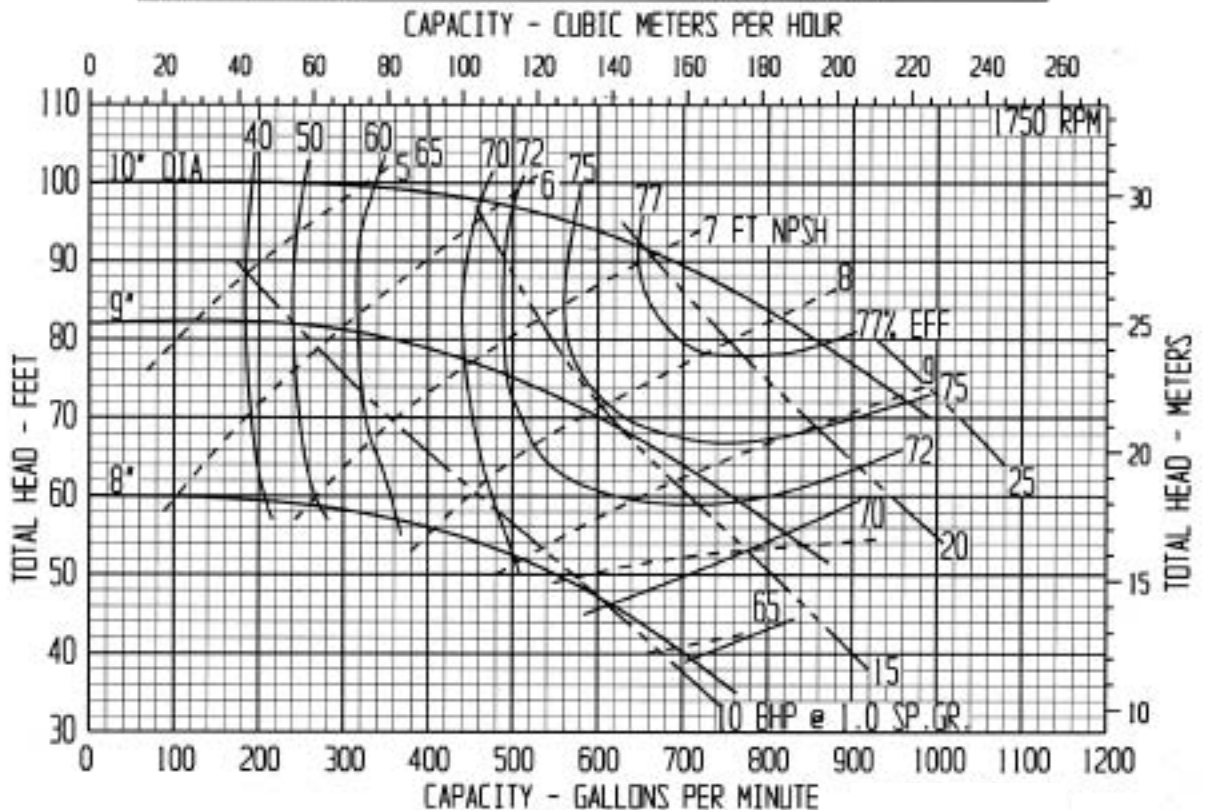
PUMP TYPE: R450, R5180, RA3186, RWA4206

4" DISCHARGE X 6" SUCTION

**PUMP PERFORMANCE:** This curve, based on extensive tests, defines the average performance of this pump for liquids having a viscosity of 70 SSU or less. Actual performance of individual units may differ slightly from the performance indicated on this curve. Pump applications made from the data contained herein are subject to confirmation and acceptance by our Engineering Department at our Indianapolis Office.



CUSTOMER _____	ITEM No. _____
CUSTOMER'S ORDER No. _____	FACTORY ORDER No. _____
DEAN PUMP SERIAL No. _____	



## NOTES

# CECO Dean

700 Emlen Way, Telford, PA 18969 USA  
Phone: 215.723.8155, Fax: 215-723-2197, Toll Free: 800-392-7621  
Email: [infofhs@onececo.com](mailto:infofhs@onececo.com) • Website: [cecoenviro.com](http://cecoenviro.com)

