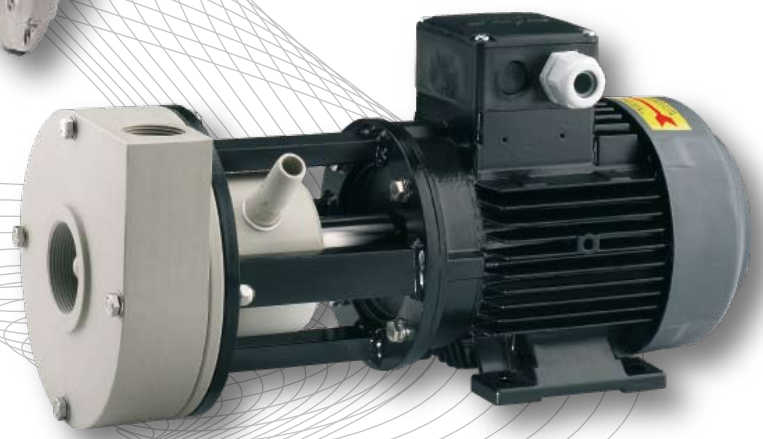
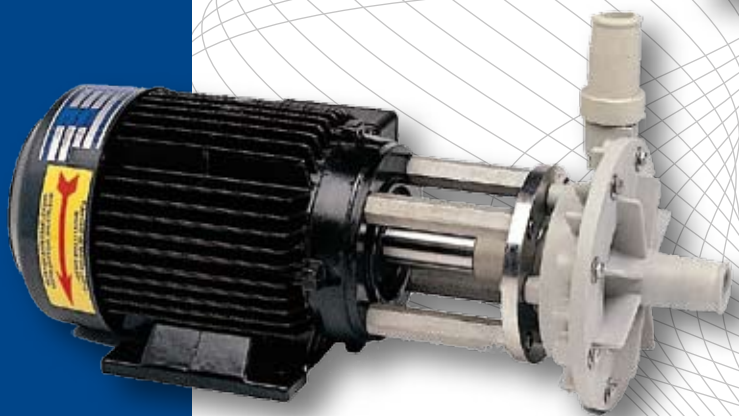
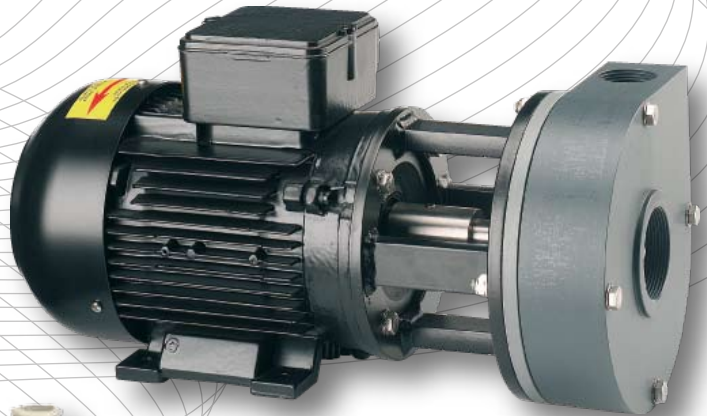


- ▶ Rugged
- ▶ Universal utilization
- ▶ Silicium Carbide sealing rings
- ▶ Long life

# CECOMefiag

Built stronger to last longer



# CENTRIFUGAL PUMPS

Mefiag filters are standard equipped with Mefiag pumps. The filters, like the pumps, are designed for the electroplating industry, where they are used mainly for the filtration of acid, alkaline and other aggressive nonoxidizing solutions -particularly in electro plating process baths, where quality and reliability are essential.

It follows that Mefiag centrifugal pumps with their favourable price-quality ratio, have a wide range of applications. Consequently these pumps are supplied not only together with a filter, but also separately, for transfer or circulation purposes.

To make these pumps even more user friendly and more universally useable, standard hose adapters and magnetic switches can be fitted and, if required, the pumps can be mounted on a base plate.

In view of the fact that these pumps are designed and manufactured entirely by Mefiag, most custom made applications are possible.

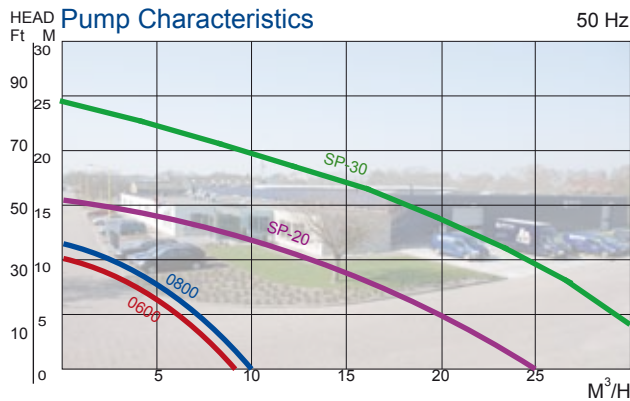
Pump	Max.Cap. m <sup>3</sup> /h	Max.Press. Bar	Kw	Volts
0600	8	1	0,75	230/400
0800	9	1,2	0,75	230/400
SP-20	24	1,6	1,5	230/400
SP-30	34	2,5	3	230/400



0600



SP-20



Due to the various pump housing material options virtually all liquids can be handled without any problem, with standard polypropylene, C-PVC or PVDF. The impeller is standard made of PVDF. The pump shaft can also be supplied in a variety of materials to suit various liquids: stainless steel 316, PVDF, titanium, etc.



SP-20 in CPVC version



SP-20 with double mechanical seal



SP-30



CRS-15/B



CRS-25/B